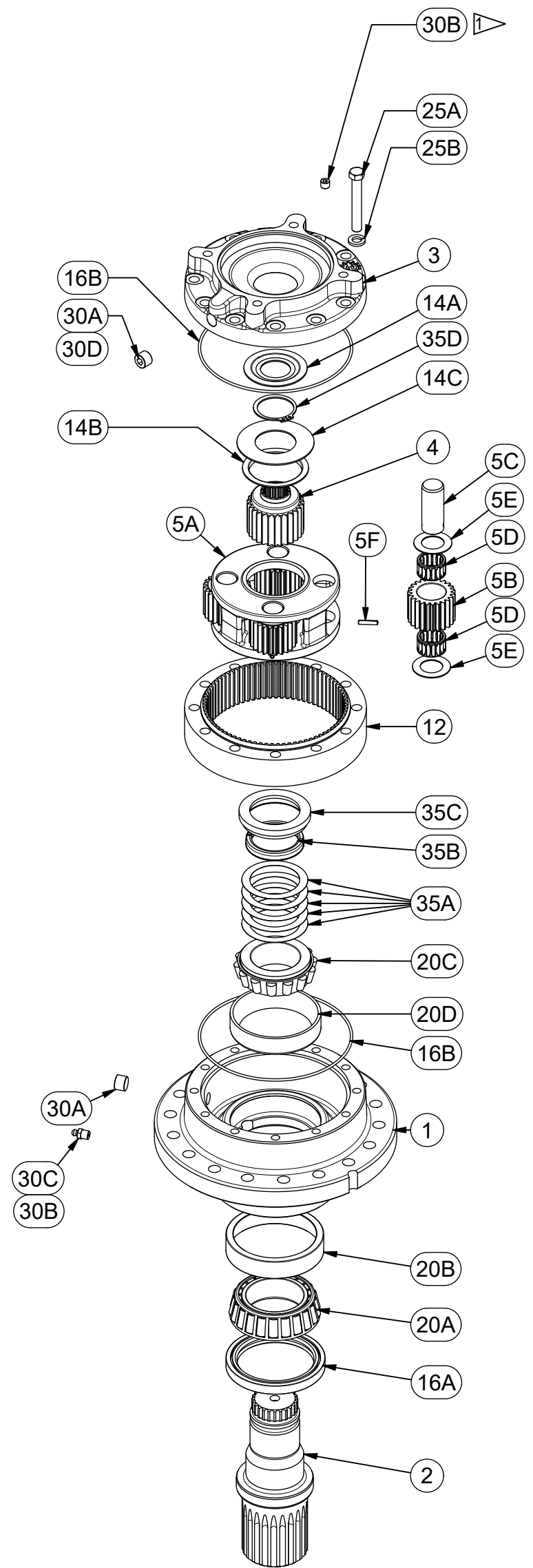




MODEL 70L SINGLE PLANETARY
EFFECTIVE FROM: SN-150499 DATE 08-12-2016

PARTS LIST						
CODE	DESCRIPTION	ITEM	QTY	RATIO CODE 4 (3.85:1)	RATIO CODE 5 (5.05:1)	RATIO CODE 5 (5.05:1) WITH CODE 4 INPUT
	BASE					
A	BASE - ROUND FLANGE	1	1	50-004-3379	50-004-3379	50-004-3379
AQ	BASE - ROUND ECCENTRIC	1	1	50-004-3381	50-004-3381	50-004-3381
E	BASE - RECTANGULAR FLANGE	1	1	50-004-3380	50-004-3380	50-004-3380
F	BASE - FLANGELESS	1	1	50-004-3382	50-004-3382	50-004-3382
R	BASE - REVERSE MOUNT	1	1	50-004-3396	50-004-3396	50-004-3396
	OUTPUT SHAFT					
D1	SHAFT - 23T 8/16 DP SPLINE	2	1	50-004-4682	50-004-4682	50-004-4682
D2	SHAFT - Ø3", 5/8" KEY	2	1	50-004-4683	50-004-4683	50-004-4683
D3	SHAFT - Ø2.25", 1/2" KEY	2	1	50-004-4686	50-004-4686	50-004-4686
H2	SHAFT - 2" HEX Ø.81 HOLE	2	1	50-004-4684	50-004-4684	50-004-4684
H3	SHAFT - 2.5" HEX Ø.81 HOLE	2	1	50-004-4706	50-004-4706	50-004-4706
S1	SPINDLE - Ø4.50" PILOT Ø6.00" BC	2	1	50-004-4685	50-004-4685	50-004-4685
C1	SHAFT - CUSTOM	2	1			
	COVER					
A	COVER - SAE 'A' 2 & MOD 4-BOLT	3	1	50-004-1173	50-004-1173	50-004-1173
B	COVER - SAE 'B' 2-BOLT	3	1	50-004-1183	50-004-1183	50-004-1183
C	COVER - SAE 'C' 4-BOLT	3	1	50-004-1233	50-004-1233	50-004-1233
F	COVER - SAE 'A' 4-BOLT DANFOSS	3	1	50-004-1687	50-004-1687	50-004-1687
K	COVER - SAE 'C' 2-BOLT	3	1	50-004-1333	50-004-1333	50-004-1333
	INPUT GEAR					
2	INPUT GEAR 13T 16/32 DP SPLINE	4	1	85-004-1708	PNNYA	-
3	INPUT GEAR 1" 6B SPLINE	4	1	85-004-1682	85-004-1687	-
4	INPUT GEAR 14T 12/24 DP SPLINE	4	1	85-004-1674	-	85-004-1676
5	INPUT GEAR 15T 16/32 DP SPLINE	4	1	PNNYA	PNNYA	-
6	INPUT GEAR Ø1.00 1/4" KEY	4	1	PNNYA	-	-
7	INPUT GEAR 17T 12/24 DP SPLINE	4	1	85-004-1675	-	-
	CARRIER ASSY - SECONDARY	5	1	50-005-2162	50-005-2163	50-005-2163
	CARRIER - SECONDARY	5A	1	50-004-1646	50-004-1640	50-004-1640
	PLANET GEAR - SEC.	5B	4	85-004-1677	85-004-4670	85-004-1670
	PLANET SHAFT	5C	4	25-004-1031	25-004-1031	25-004-1031
	BEARING	5D	8	01-105-0590	01-105-0590	01-105-0590
	THRUST WASHER - PLANETS	5E	8	50-004-1644	50-004-1644	50-004-1644
	ROLL PIN (Ø3/16 X 7/8)	5F	4	01-153-0210	01-153-0210	01-153-0210
	RING GEAR	12	1	50-004-1033	50-004-1033	50-004-1023
	THRUST WASHERS					
	THRUST WASHER-INPUT	14A	1	50-004-1091	50-004-1091	50-004-1091
	THRUST WASHER SEC. CUP	14B	1	50-004-1011	50-004-1011	50-004-1011
	THRUST WASHER	14C	1	-	-	81-004-2883
	SEAL KIT			70-016-2001	70-016-2001	70-016-2001
	SEAL	16A	1	01-405-0841	01-405-0841	01-405-0841
	O-RING (167MM X 3MM)	16B	2	01-402-0560	01-402-0560	01-402-0560
	OUTPUT SHAFT BEARINGS					
	BRG CONE	20A	1	01-102-0030	01-102-0030	01-102-0030
	BRG CUP	20B	1	01-103-0030	01-103-0030	01-103-0030
	BEARING CONE	20C	1	01-102-0370	01-102-0370	01-102-0370
	BEARING CUP	20D	1	01-103-0370	01-103-0370	01-103-0370
	HARDWARE	25	-	-	-	-
	HHCS	25A	12	01-150-1540	01-150-1540	01-150-1550
	LOCKWASHER- 7/16"	25B	12	01-166-0340	01-166-0340	01-166-0340
	PLUGS AND FIXTURES	30				
	PIPE PLUG (3/8 MAGNETIC)	30A	2	01-207-0070	01-207-0070	01-207-0070
	PIPE PLUG 1/8 NPT HOLLOW HEX	30B	1	01-207-0030	01-207-0030	01-207-0030
Z	GREASE FITTING (OPTIONAL)	30C	1	01-215-0010	01-215-0010	01-215-0010
V	AIR VENT (OPTIONAL)	30D	1	01-216-0070	01-216-0070	01-216-0070
	MISCELLANEOUS	35				
	SHIM	35A	*	50-004-1521	50-004-1521	50-004-1521
	SPLIT RING	35B	1	50-004-1452	50-004-1452	50-004-1452
	LOCK RING	35C	1	50-004-1462	50-004-1462	50-004-1462
	RETAINING RING	35D	1	-	-	01-160-0350

*QUANTITY DEPENDANT UPON DESIRED BEARING PRELOAD
X70LD1 ECN: 5152 REV: C 02/05/2024 JH



NOTES: ▷

1. USED ONLY WITH 'C' AND 'K' COVERS.