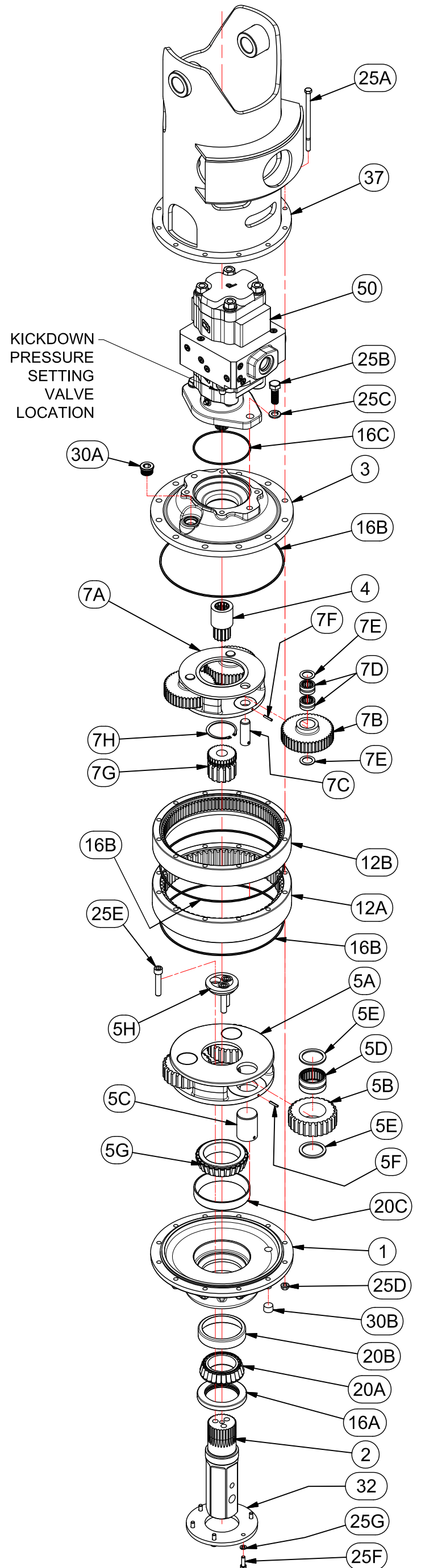


7848 INTEGRAL KICKDOWN WITH PLATE RETAINED SHAFT

PARTS LIST			
ITEM	QTY	DESCRIPTION	PART NUMBER
1	1	BEARING CARRIER	72-004-1102
2	1	OUTPUT SHAFT 2-1/2 HEX	71-004-4022
		OUTPUT SHAFT 2-5/8 HEX	71-004-4032
3	1	COVER	80-004-1174
4	1	INPUT SHAFT	73-004-1002
5	(1)	CARRIER ASSEMBLY - SEC	71-005-2342
5A	1	CARRIER - SEC PLANET	71-004-2332
5B	3	PLANET GEAR - SEC.	71-004-0092
5C	3	PIN - SEC. PLANET	71-004-0081
5D	3	BRG - (SEC PLANET)	01-105-0020
5E	6	WASHER - SEC PLANET	71-004-0871
5F	3	ROLL PIN (3/16 X 1)	01-153-0020
5G	1	BRG CONE	01-102-0100P
5H	1	PLATE - BEARING RETAINER	71-004-2322
7	(1)	CARRIER ASSEMBLY - PRIMARY	73-005-2041
7A	1	CARRIER - PRI (48:1)	73-004-1053
7B	3	PLANET GEAR - PRI 48:1	73-004-1022
7C	3	PIN - PRIMARY PLANET	71-004-0121
7D	6	BRG (PRI PLANET)	01-105-0010
7E	6	WASHER - PRI PLANET	71-005-0861
7F	3	ROLL PIN (3/16 X 1)	01-153-0020
7G	1	SUN GEAR - SEC.	71-004-0102
7H	1	RETAINING RING	01-160-0030
12	-	RING GEARS	
12A	1	RING GEAR - SEC	71-004-0042
12B	1	RING GEAR-PRIMARY	73-004-1063
16	-	SEALS & O-RINGS	
16A	1	SEAL, NAT'L #415088	01-405-0540
16B	3	O-RING	01-402-0020
16C	1	O-RING	01-402-0010
20	-	OUTPUT SHAFT BEARINGS	
20A	1	BEARING CONE	01-102-0090P
20B	1	BEARING CUP	01-103-0080P
20C	1	BEARING CUP	01-103-0090P
25	-	HARDWARE	
25A	12	HHCS (3/8-16X6-1/2 GR5)	01-150-0020
25B	2	HHCS (5/8-11 X 1-3/4)	01-150-0110
25C	2	LOCKWASHER - 5/8 ZINC PLATED	01-166-0040
25D	12	HEX FLANGE NUT	01-158-0360
25E	3	SHCS (1/2-20 X 2-1/2 GR8)	01-150-1480
25F	6	5/16-18 X 1, GR5 HEX HEAD CAP SCREW	01-150-1790
25G	6	LOCK WASHER; 5/16	01-166-0110
30	-	PLUGS	
30A	1	HOLLOW HEX PLUG (05HP-12)	01-208-0030
30B	1	PIPE PLUG (1/2 NPT MAGNETIC)	01-207-0010
32	1	SEAL PROTECTOR	72-004-1092
37	1	BAIL ASSY - 1.50 BAIL BOSS, ROTATED	73-005-2092
		BAIL ASSY - 1.25 BAIL BOSS, ROTATED	73-005-2212
		BAIL ASSY - 1.50 BAIL BOSS, STD	73-005-0152
		BAIL ASSY - 1.25 BAIL BOSS, STD	73-005-0142
50	1	MOTOR - KICKDOWN 7.02 IN ³ /REV, 3500PSI	01-304-1390
		MOTOR - KICKDOWN 9.56 IN ³ /REV, 2500 PSI	01-304-1410



EFFECTIVE DATE: 3/1/2017
 EFFECTIVE S/N: 156890
 X7848-K2-AA DATE: 11/3/2017