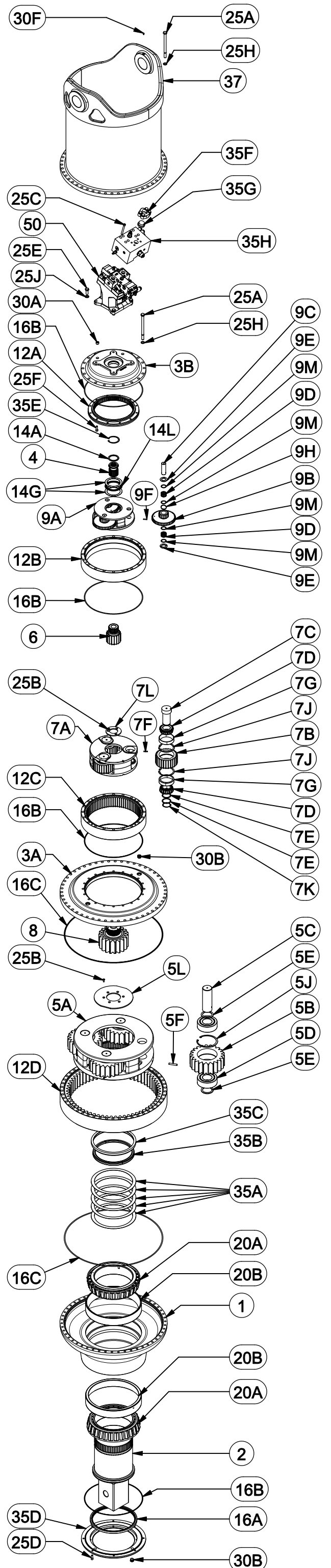




**STANDARD**  
250334-85F122BP  
EFFECTIVE FROM: SN-158082 6/2017

PARTS LIST				
GROUP	ITEM	QTY	PART NUMBER	DESCRIPTION
	1	1	45-004-3001	BASE
	2	1	45-004-4001	SHAFT
3	-	-	-	COVERS
	3A	1	45-004-2001	COVER
	3B	1	60-004-1564	COVER-SAE 'E' 600/1000
	4	1	60-004-1552	INPUT GEAR 600/1000 (7.76:1) (15T 8/16)
5	-	1	45-005-2001	CARRIER ASSEMBLY
	5A	1	45-004-1010	CARRIER - 4500 - 4.42:1
	5B	4	45-004-1003	PLANET GEAR
	5C	4	45-004-1004	PLANET SHAFT
	5D	8	01-110-0130	SPHERICAL ROLLER BEARING
	5E	8	45-004-1008	THRUST WASHER
	5F	4	01-153-0242	ROLL PIN
	5J	4	01-160-0828	RETAINING RING
	5L	1	45-004-1005	PLATE - 4500 SEC CARRIER
6	1	1	60-004-1362	SUN GEAR
7	-	1	-	CARRIER ASSEMBLY
	7A	1	60-004-1044	CARRIER SEC
	7B	3	60-004-1232	PLANET GEAR SEC
	7C	3	60-004-1262	PLANET SHAFT - SEC. 600/1400
	7D	6	01-102-0210	TAPERED BEARING CONE
	7E	6	60-004-1291	WASHER - SEC. PLANET 600 1000 1400
	7F	3	01-153-0150	ROLL PIN 1/4" X 1-3/8"
	7G	6	01-103-0210	TAPERED BEARING CUP
	7H	6	60-004-1321	SHIM-SECONDARY PLANET
	7J	6	01-160-0500	RETAINING RING
	7K	3	01-160-0490	RETAINING RING; EXTERNAL; 5100-262
	7L	1	60-004-1352	SECONDARY CARRIER RETAINER
8	1	1	45-004-1002	SUN GEAR
9	-	1	60-005-2203	CARRIER ASSEMBLY
	9A	1	60-004-1722	CARRIER - PRI
	9B	3	60-004-1960	CLUSTER GEAR- LOOSE ROLLER
	9C	3	60-004-1272	PLANET SHAFT - PRI
	9D	84	01-106-0050	ROLLER
	9E	6	60-004-1881	WASHER-PRI PLANET
	9F	3	01-153-0150	ROLL PIN 1/4" X 1-3/8"
	9H	3	01-160-0750	RETAINING RING; INTERNAL; 5008-187
	9M	12	60-004-1891	SPACER WASHER (1400 PRI)
12	-	-	-	RING GEARS
	12A	1	60-004-1213	RING GEAR - COMPOUND PRI
	12B	1	60-004-1253	RING SPACER - CMPD PRI - 600/1000
	12C	1	60-004-1243	RING GEAR - SEC- 1000
	12D	1	45-004-1001	RING GEAR
14	-	-	-	THRUST WASHERS & BEARINGS
	14A	1	01-112-0060	THRUST WASHER
	14L	1	01-112-0340	THRUST BRG
	14G	2	01-112-0350	THRUST RACE
16	-	-	45-016-2001	SEAL KIT
	16A	1	01-405-0838	SEAL
	16B	4	01-402-0660	O-RING
	16C	2	01-402-1015	O-RING 34.5 ID
20	-	-	-	OUTPUT SHAFT BEARINGS
	20A	2	01-102-0315	BEARING CONE
	20B	2	01-103-0315	BEARING CUP
25	-	-	-	HARDWARE
	25A	70	01-150-1580	HHCS (3/4-10 x 10.5 GRD 8)
	25B	9	01-150-1590	FLAT HD SOC C.S.;GR8 3/8-24X1
	25C	8	01-150-2077	SOCKET HEAD CAP SCREW
	25D	8	01-150-0030	SHCS-1/2-13 X 1-1/4 GR. 8
	25E	4	01-150-1890	HHCS (3/4-10 UNC 1.75" GR5)
	25F	12	01-150-0570	SOC HD CAP SCREW
	25G	1	01-150-2071	SHCS-1/2-13 X 1-1/4 GR. 8
	25H	70	01-166-0350	HARDWASHER - 3/4; 1.25 O.D.
	25J	4	01-166-0360	LOCKWASHER 3/4" MED.
30	-	-	-	PLUGS AND FITTINGS
	30A	2	01-207-0100	PIPE PLUG 3/4 NPT MAGNETIC
	30B	6	01-208-0030	HOLLOW HEX PLUG (05HP-12)
	30F	2	01-215-0050	GREASE FITTING
35	-	-	-	MISCELLANEOUS
	35A	*	45-004-1007	SHIM
	35B	1	45-004-1012	SPLIT RING - 4500
	35C	1	45-004-1011	LOCKING RING
	35D	1	45-004-1000	SEAL CARRIER
	35E	1	01-160-0510	RETAINING RING; INTERNAL
	35F	2	01-201-0778	SPLIT FLANGE KIT
	35G	2	01-201-0779	SPLIT FLANGE PLUG
	35H	1	01-308-0220	ANTI SPIN BACK MANIFOLD
	37	1	45-005-2011	BAIL ASSEMBLY
	50	1	01-304-1220	MOTOR



\*QUANTITY DEPENDANT UPON DESIRED BEARING PRELOAD  
X250334-85F122BP ECN: - REV: A 10-01-18 HWP