

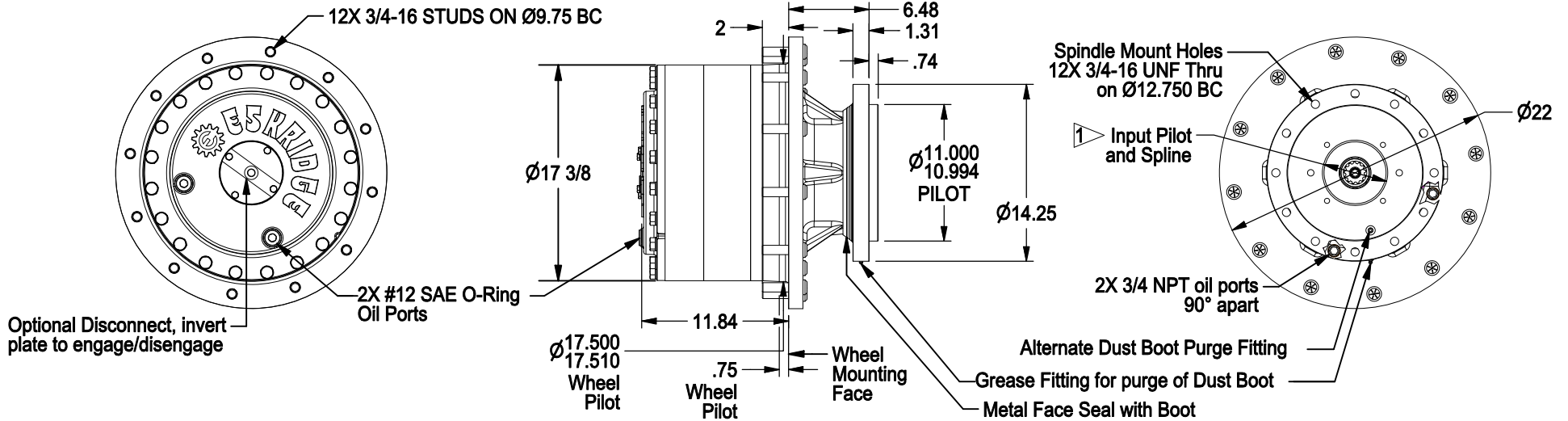


440 GEAR DRIVE - WHEEL DRIVE

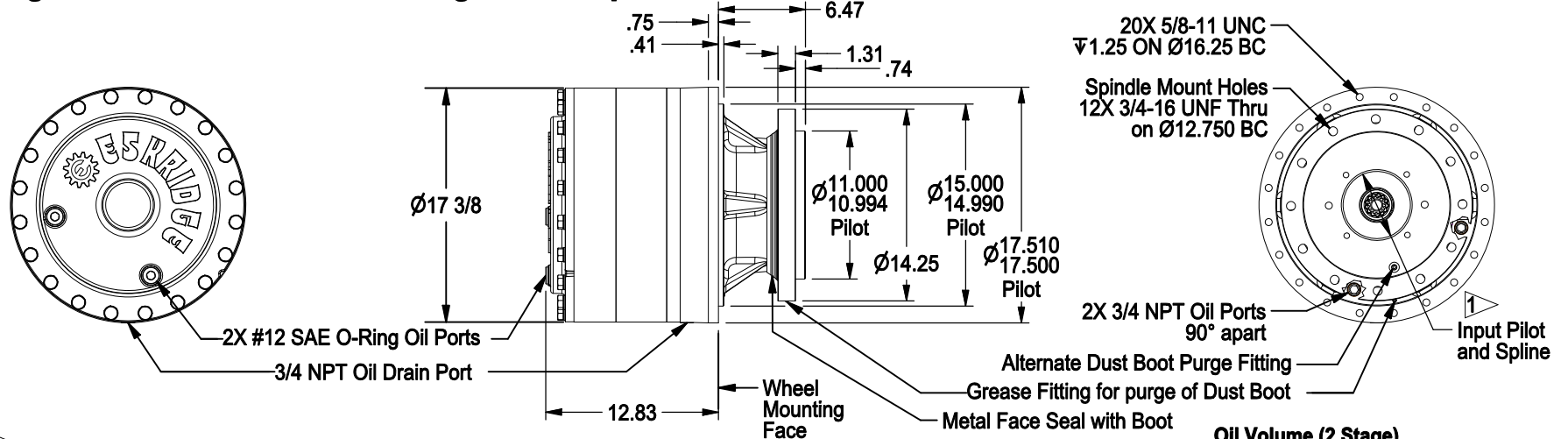
440,000 in-lb (49,720 N-m) Intermittent Rating 220,000 in-lb (24,800 N-m) Continuous Rating
 Typical Applications: Industrial, Marine or Mobile Equipment

(913) 782-1238 (Tel)
 (913) 782-4206 (Fax)
 Sales@Eskridgeinc.com
 www.Eskridgeinc.com
 FORM: PS440W-AB
 SHEET 1 OF 4

440 2-Stage General Dimensions Flanged 'A' Option (Shown with disconnect option)



440 2-Stage General Dimensions Flangless 'F' Option (Shown without disconnect option)



NOTES: ▷

1. SPECIFICATIONS CALLED OUT IN MOTOR MOUNT DIMENSIONS SECTION.
2. VALUES ARE SHOWN IN INCHES.
3. 'T' OPTION; THROUGH BOLT MOUNTING, HOLES ARE 18X Ø.656 HOLE ON Ø16.25 B.C.
4. OUTPUT ROTATION IS OPPOSITE TO INPUT ROTATION.

Oil Volume (2 Stage)

LUBRICATION	ORIENTATION	HORIZONTAL:	VERTICAL:
QUANTITY		8 Qt	11 Qt
OIL FILL LEVEL (GRADE GL-5 EP 80/90)		All Units Shipped Without Oil	



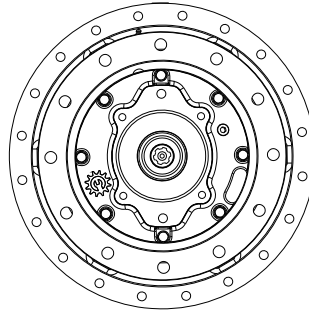
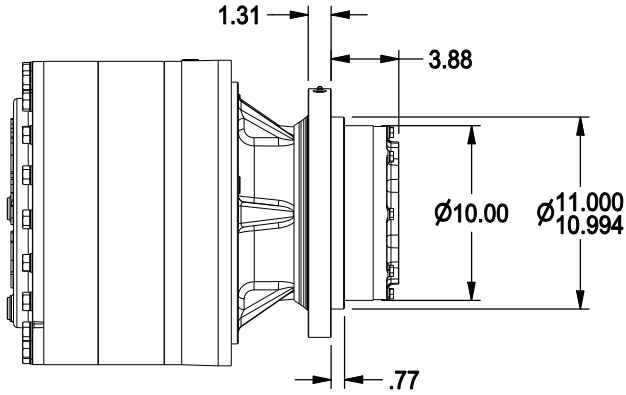
440 GEAR DRIVE - WHEEL DRIVE

440,000 in-lb (49,720 N-m) Intermittent Rating 220,000 in-lb (24,800 N-m) Continuous Rating
 Typical Applications: Industrial, Marine or Mobile Equipment

(913) 782-1238 (Tel)
 (913) 782-4206 (Fax)
Sales@Eskridgeinc.com
www.Eskridgeinc.com
 FORM: PS440W-AB

SHEET 2 OF 4

440 3-Stage Option 130 First Stage (Base Dimensions Identical to 2-Stage Option)



Available Ratios:

64	(64.22:1)
79	(78.87:1)
97	(97.25:1)
107	(107.04:1)
119	(119.43:1)
127	(126.78:1)
156	(155.69:1)
162	(162.08:1)
165	(165.43:1)
203	(203.16:1)
211	(211.30:1)
264	(264.12:1)
276	(275.71:1)
345	(344.64:1)

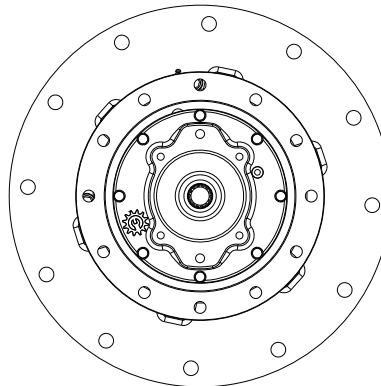
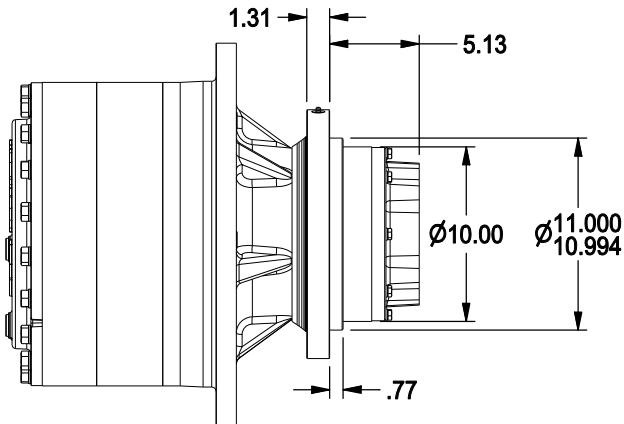
Input Mounting:

SAE "A" (2 & Modified 4 Bolt)
 SAE "B" (2 & 4 Bolt)
 SAE "C" (2 & 4 Bolt)

Input Spline:

2 (13T 16/32 DP Spline)
 3 (1"-6B SAE Parallel Sided Spline)
 4 (14T 12/24 DP Spline)
 5 (15T 16/32 DP Spline)

440 3-Stage Option with Code 4 Input for 107:1, 162:1, 211:1, 264:1, 275:1 and 345:1 Ratios



Oil Volume (3 Stage With 130)

LUBRICATION	ORIENTATION	HORIZONTAL:	VERTICAL: PINION DOWN
QUANTITY		8.5 Qt	11.5 Qt
OIL FILL LEVEL (GRADE GL-5 EP 80/90)		All Units Shipped Without Oil	

NOTES:

1. SPECIFICATIONS CALLED OUT IN MOTOR MOUNT DIMENSIONS SECTION.



440 GEAR DRIVE - WHEEL DRIVE

440,000 in-lb (49,720 N-m) Intermittent Rating 220,000 in-lb (24,800 N-m) Continuous Rating
 Typical Applications: Industrial, Marine or Mobile Equipment

(913) 782-1238 (Tel)
 (913) 782-4206 (Fax)
Sales@Eskridgeinc.com
www.Eskridgeinc.com
 FORM: PS440W-AB

SHEET 3 OF 4

Performance Ratings

Maximum Intermittent Output Torque: 440,000 in-lb (49,720 N-m)
 Continuous Output Torque: 220,000 in-lb (24,800 N-m)
 Maximum Input Speed: 3,000 RPM
 Maximum Operating Ambient Temperature: 110° F (43° C)
 Minimum Operating Ambient Temperature: -20° F (-28° C)

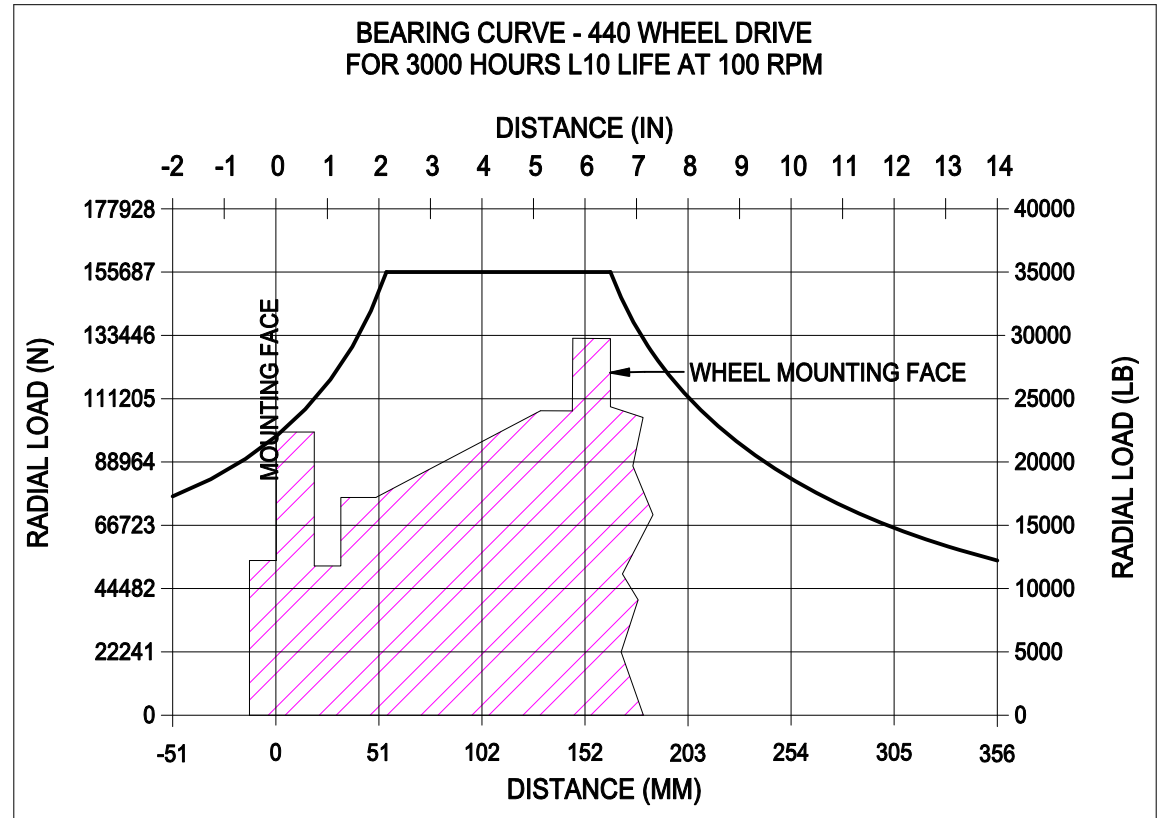
Consult your Eskridge representative to determine ratings for your specific application or configuration

Motor Mount Dimensions

PILOT DIMENSIONS	BOLT CIRCLE
SAE 'C' Ø5.001/5.004	4X 1/2-13 UNC-2B ∇ 1 ON Ø6.375 B.C. 2X 5/8-11 UNC-2B ∇ 1 ON Ø7.125 B.C.
SAE 'D' Ø6.000/6.004	4X 3/4-10 UNC-2B ∇ 1 ON Ø9.000 B.C.

Approximate Unit Weight

Single Stage: 420 lb (190 kg)
 Two Stage: 755 lb (342 kg)
 Three Stage: 890 lb (403 kg)



To adjust for loads and speeds other than those shown on above curve, use this formula:

$$\text{Adjusted Life (hours)} = 3000 \left(\frac{100 \text{ rpm}}{\text{Speed (Adjusted)}} \right) \times \left(\frac{\text{Load (Curve)}}{\text{Load (Adjusted)}} \right)^{10/3}$$



440 GEAR DRIVE - WHEEL DRIVE

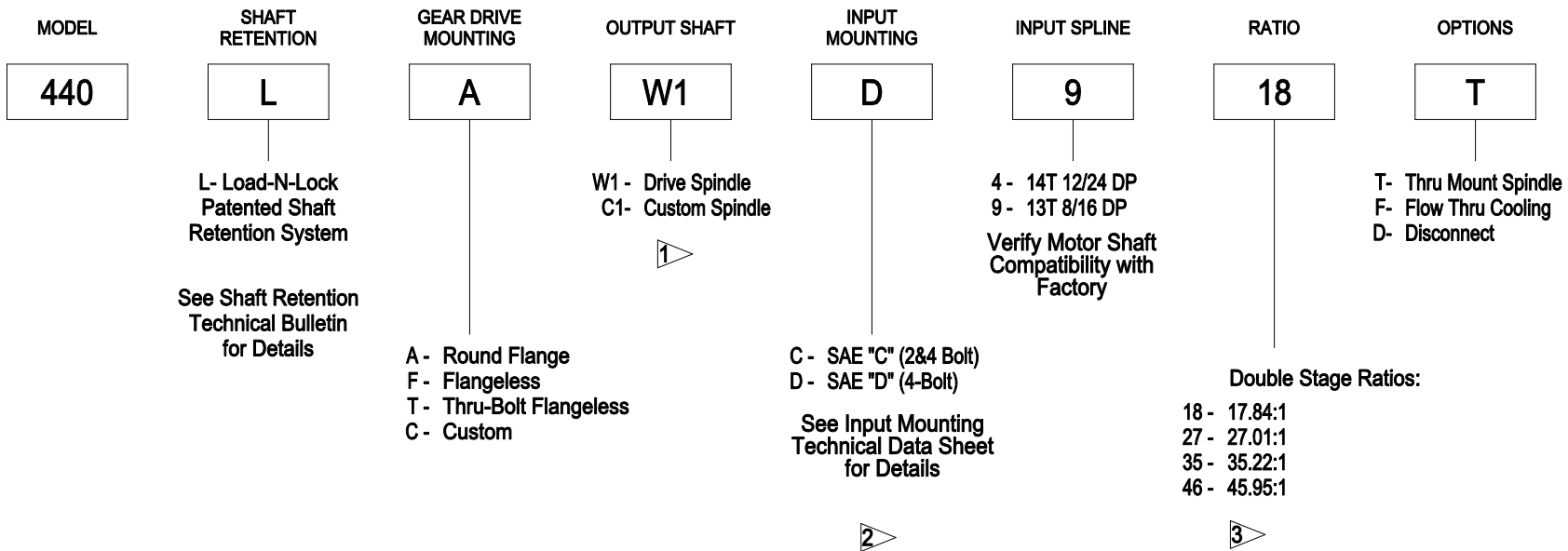
440,000 in-lb (49,720 N-m) Intermittent Rating 220,000 in-lb (24,800 N-m) Continuous Rating
Typical Applications: Industrial, Marine or Mobile Equipment

(913) 782-1238 (Tel)
(913) 782-4206 (Fax)
Sales@Eskridgeinc.com
www.Eskridgeinc.com
FORM: PS440W-AB

SHEET 4 OF 4

Ordering Information

Example Part Number: 440LAW1D9-18



NOTES: ▷

1. OUTPUT SHAFT DATA SHOWN ON PAGE 1.
2. INPUT MOUNTING DATA SHOWN ON PAGE 3.
3. THREE STAGE INPUT MOUNTING, INPUT SPLINE AND RATIOS ARE SHOWN ON PAGE 2.