

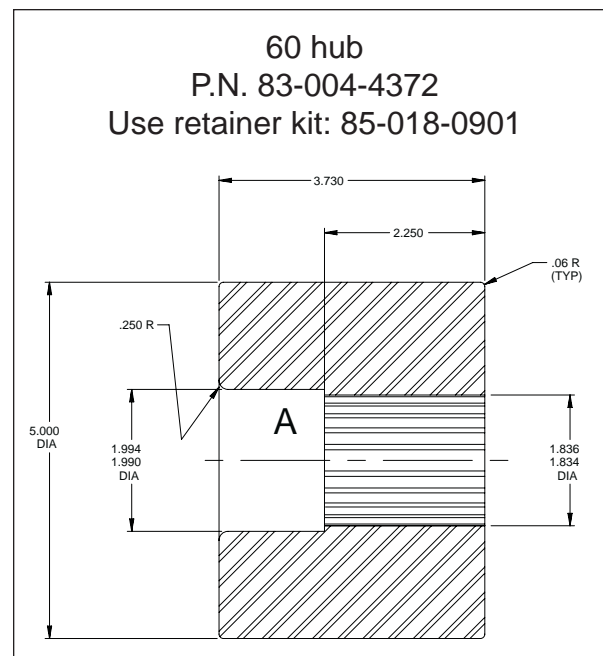
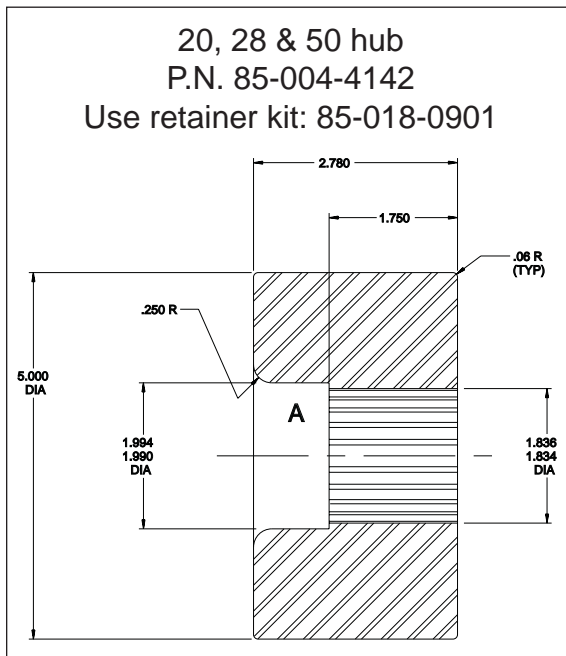
## Custom Pinions & Geared Shafts

Many special spline-on pinions and custom shafts with integral pinion gears are available from Eskridge. We welcome the opportunity to provide custom configurations to meet your application require-

## Adapter Hubs

(To Fit Standard Spline Output Shafts)

A complete line of spline-on hubs are available to adapt our planetary gear drives to many applications. These 4140H heat-treatable blank hubs are suitable for machining pilots or mounting holes, or for welding directly to the driven equipment. Hubs may be factory-mounted to your geardrive when purchased with a retainer kit.



Values = inches (mm)

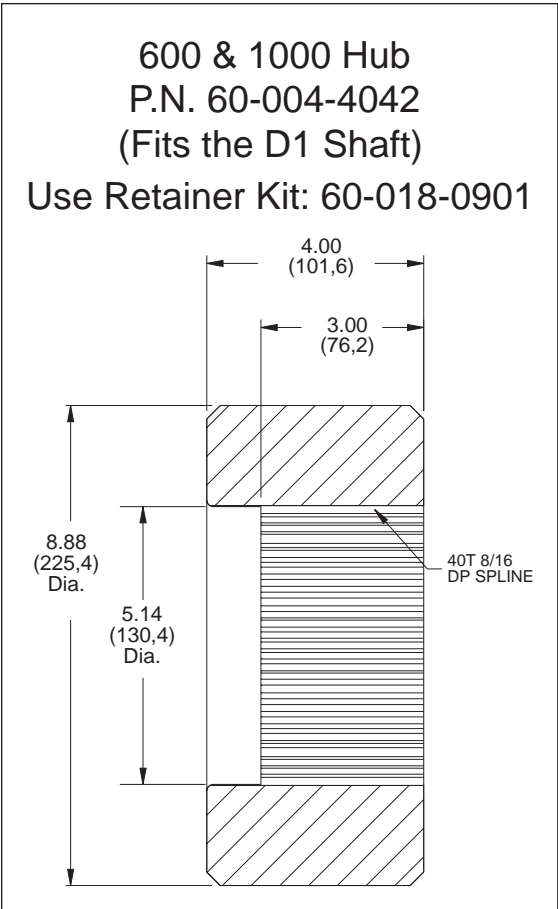
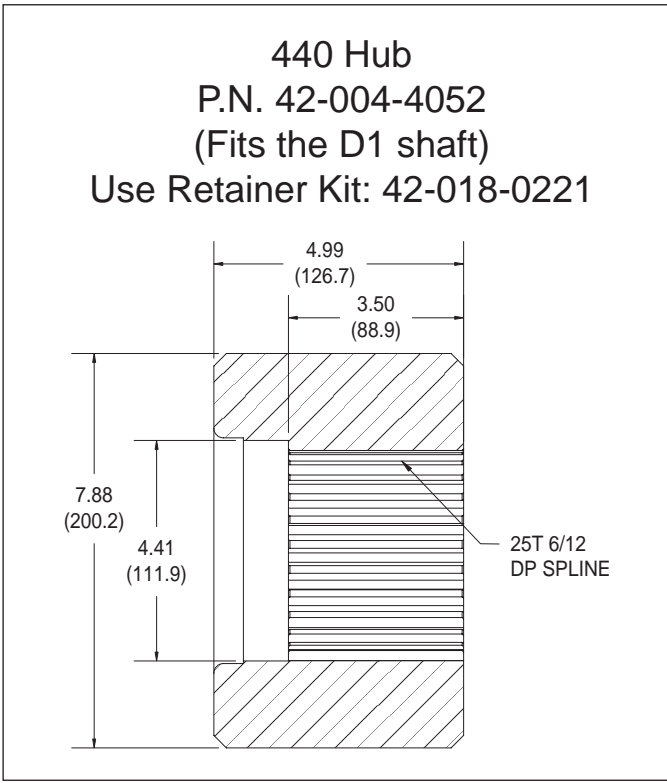
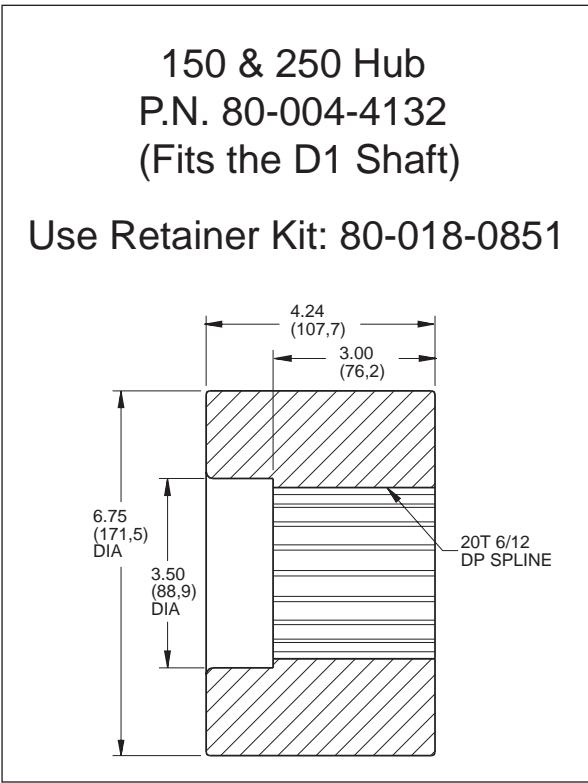
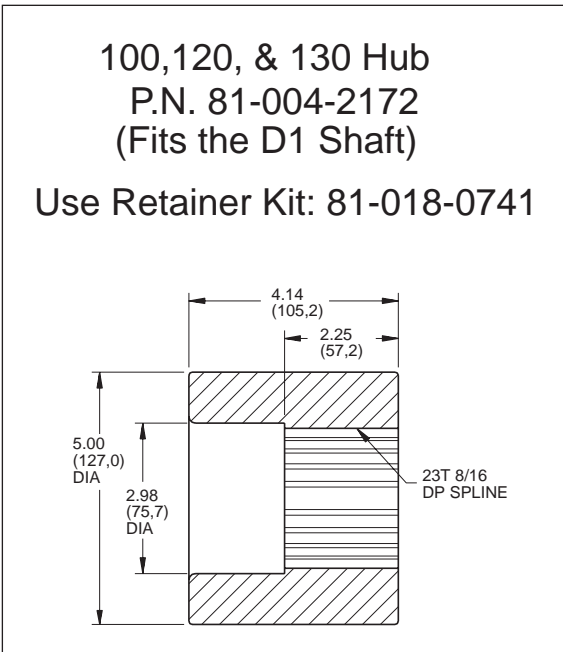
For more information regarding Planetary Geardrives and other innovative products, feel free to contact us at:



1900 Kansas City Road • Olathe, Kansas 66061 • USA

PHONE: (913) 782-1238 • FAX: (913) 782-4206

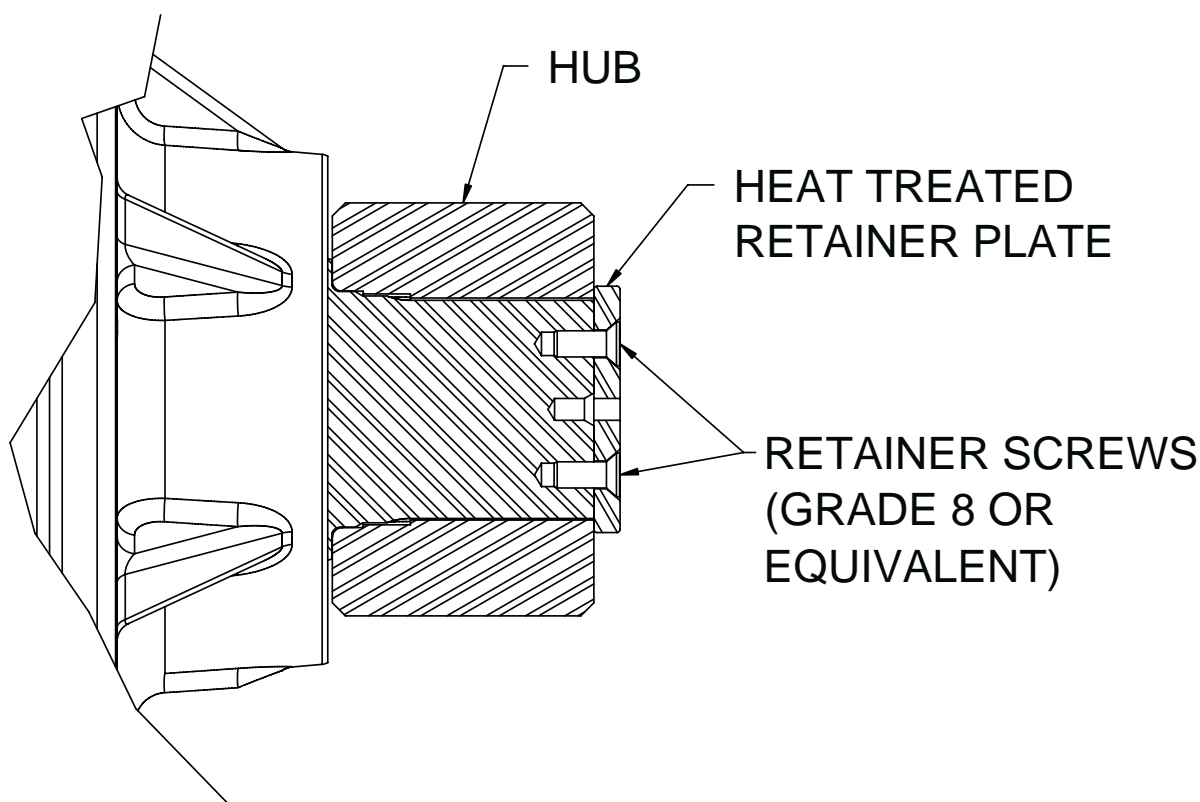
WEBSITE: [www.eskridgeinc.com](http://www.eskridgeinc.com) • E-MAIL: [sales@eskridgeinc.com](mailto:sales@eskridgeinc.com)



Values = inches (mm)

## Typical Hub installation

(Using Eskridge retainer kit)



---

For more information regarding Planetary Geardrives and other innovative products, feel free to contact us at:

1900 Kansas City Road • Olathe, Kansas 66061 • USA

PHONE: (913) 782-1238 • FAX: (913) 782-4206

WEBSITE: [www.eskridgeinc.com](http://www.eskridgeinc.com) • E-MAIL: [sales@eskridgeinc.com](mailto:sales@eskridgeinc.com)