

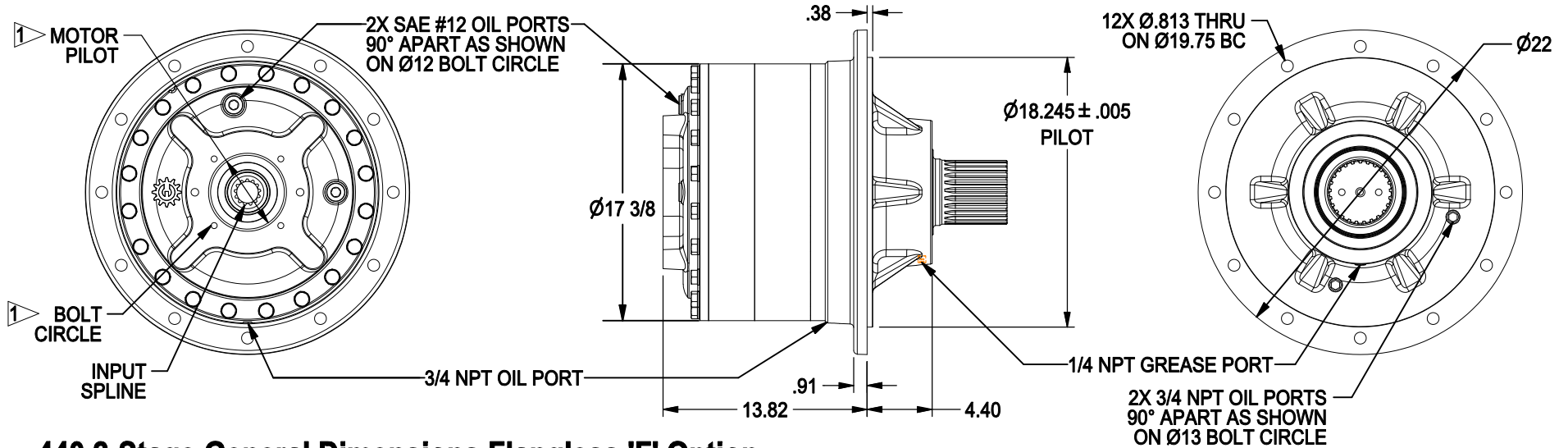


# 440 GEAR DRIVE - SHAFT OUTPUT

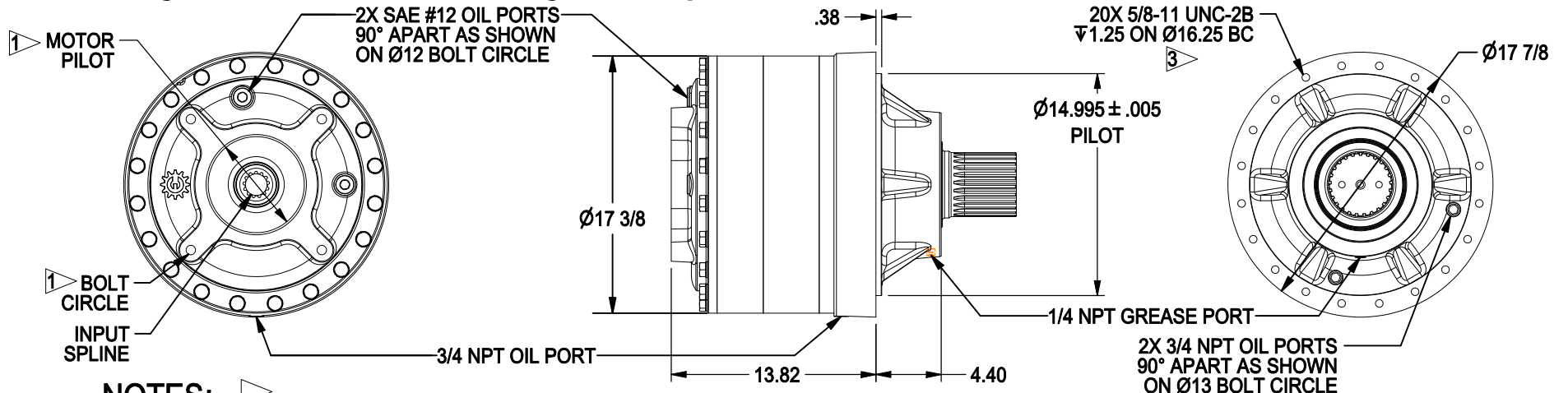
440,000 in-lb (49,720 N-m) Intermittent Rating 220,000 in-lb (24,800 N-m) Continuous Rating  
 Typical Applications: Industrial, Marine or Mobile Equipment

(913) 782-1238 (Tel)  
 (913) 782-4206 (Fax)  
 Sales@Eskridgeinc.com  
 www.Eskridgeinc.com  
 FORM: PS440L-AC  
 SHEET 1 OF 6

## 440 2-Stage General Dimensions Flanged 'A' Option



## 440 2-Stage General Dimensions Flangless 'F' Option



### NOTES:

1. SPECIFICATIONS CALLED OUT IN MOTOR MOUNT DIMENSIONS SECTION.
2. VALUES ARE SHOWN IN INCHES.
3. 'T' OPTION; THROUGH BOLT MOUNTING, HOLES ARE 18X Ø.656 HOLE ON Ø16.25 B.C.
4. OUTPUT SHAFT ROTATION SAME AS INPUT ROTATION.

### Oil Volume (2 Stage)

| LUBRICANT                                  | ORIENTATION | HORIZONTAL:       | VERTICAL:<br>PINION DOWN             | VERTICAL:<br>PINION UP |
|--|-------------|-------------------|--------------------------------------|------------------------|
| QUANTITY                                   |             | 9.00 QT           | 11.00 QT                             | 9.00 QT                |
| OIL FILL LEVEL<br>(GRADE GL-5<br>EP 80/90) |             | FILL TO: PORT 'A' | FILL TO: 1.5" FROM<br>COVER PORT 'A' | FILL TO: PORT 'B'      |

All Units Shipped Without Oil



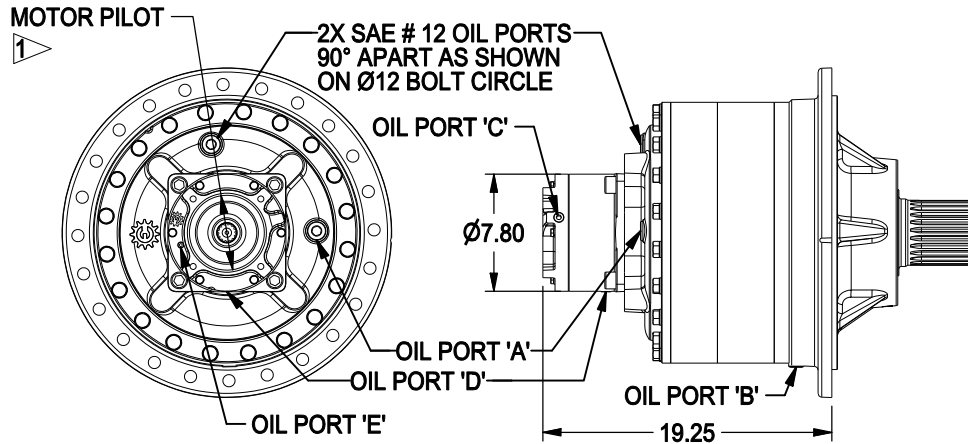
# 440 GEAR DRIVE - SHAFT OUTPUT

440,000 in-lb (49,720 N-m) Intermittent Rating 220,000 in-lb (24,800 N-m) Continuous Rating  
 Typical Applications: Industrial, Marine or Mobile Equipment

(913) 782-1238 (Tel)  
 (913) 782-4206 (Fax)  
 Sales@Eskridgeinc.com  
 www.Eskridgeinc.com  
 FORM: PS440L-AC

SHEET 2 of 6

## 3-Stage Option M-28 First Stage (Base Dimensions Identical to 2-Stage Option)



### Available Ratios:

|      |            |
|------|------------|
| 71   | (70.65:1)  |
| 77   | (76.87:1)  |
| *95  | (95.19:1)  |
| 105  | (105.05:1) |
| *114 | (114.30:1) |
| 136  | (135.81:1) |
| *142 | (141.54:1) |
| 148  | (147.76:1) |
| 176  | (176.07:1) |
| 183  | (182.99:1) |
| 192  | (191.57:1) |
| 237  | (237.23:1) |

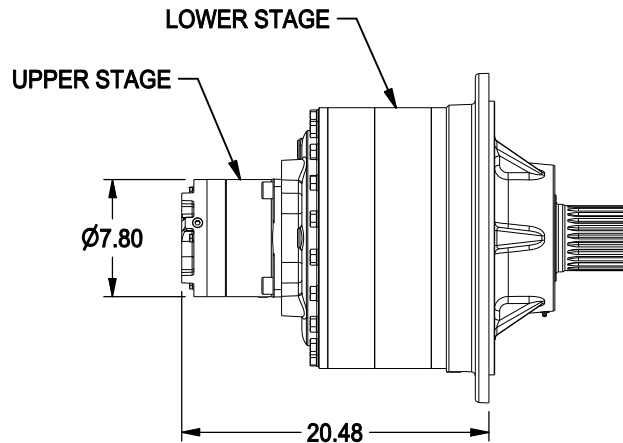
### Input Mounting:

SAE "A" (2 & Modified 4 Bolt)  
 SAE "B" (2 & 4 Bolt)  
 SAE "C" (2 & 4 Bolt)

### Input Spline:

2 (13T 16/32 DP Spline)  
 3 (1"-6B SAE Parallel Sided Spline)  
 4 (14T 12/24 DP Spline)  
 5 (15T 16/32 DP Spline)

## \*3-Stage Option with Code 4 Input for 95:1; 114:1 & 142:1 Ratios



### 2 Oil Volume (3 Stage With M28)

#### Upper Stage

| LUBRICATION                                | ORIENTATION | HORIZONTAL:          | VERTICAL:<br>PINION DOWN             | VERTICAL:<br>PINION UP |
|--|-------------|----------------------|--------------------------------------|------------------------|
| QUANTITY                                   |             | 1.0 Pt/1.25 (Code 4) | 1.8 Pt/1.25 (Code 4)                 | 1.8 Pt/2.25 (Code 4)   |
| OIL FILL LEVEL<br>(GRADE GL-5<br>EP 80/90) |             | FILL TO: PORT 'C'    | FILL TO: 1.5" FROM<br>COVER PORT 'E' | FILL TO: PORT 'D'      |

### 2 Oil Volume

#### Lower Stage

| LUBRICATION                                | ORIENTATION | HORIZONTAL:       | VERTICAL:<br>PINION DOWN             | VERTICAL:<br>PINION UP |
|--|-------------|-------------------|--------------------------------------|------------------------|
| QUANTITY                                   |             | 9.00 Qt           | 11.00 Qt                             | 9.00 Qt                |
| OIL FILL LEVEL<br>(GRADE GL-5<br>EP 80/90) |             | FILL TO: PORT 'A' | FILL TO: 1.5" FROM<br>COVER PORT 'A' | FILL TO: PORT 'B'      |

All Units Shipped Without Oil

## NOTES:

1. SPECIFICATIONS CALLED OUT IN MOTOR MOUNT DIMENSIONS SECTION.
2. UPPER AND LOWER STAGES SEPARATED WITH A SEAL. BOTH STAGES NEED TO BE FILLED WITH OIL.

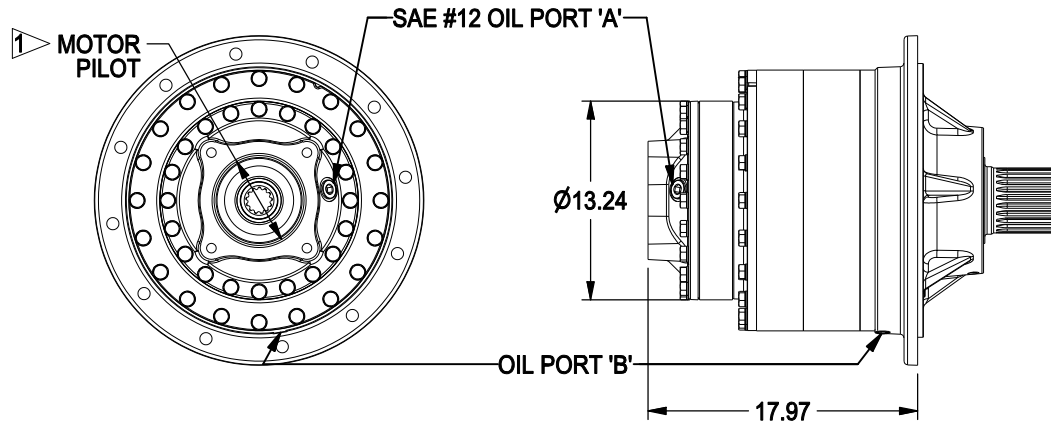


# 440 GEAR DRIVE - SHAFT OUTPUT

440,000 in-lb (49,720 N-m) Intermittent Rating 220,000 in-lb (24,800 N-m) Continuous Rating  
 Typical Applications: Industrial, Marine or Mobile Equipment

(913) 782-1238 (Tel)  
 (913) 782-4206 (Fax)  
[Sales@Eskridgeinc.com](mailto:Sales@Eskridgeinc.com)  
[www.Eskridgeinc.com](http://www.Eskridgeinc.com)  
 FORM: PS440L-AC  
 SHEET 3 of 6

## 3-Stage Option 254 First Stage (Base dimensions identical to 2-Stage Option)



### Available Ratios:

|     |            |
|-----|------------|
| 81  | (81.25:1)  |
| 105 | (105.67:1) |
| 119 | (118.69:1) |
| 121 | (120.81:1) |
| 156 | (156.18:1) |
| 157 | (157.12:1) |
| 161 | (161.48:1) |
| 176 | (176.49:1) |
| 202 | (202.48:1) |
| 203 | (203.13:1) |
| 228 | (228.16:1) |
| 240 | (240.12:1) |
| 263 | (263.34:1) |
| 296 | (295.80:1) |
| 310 | (310.43:1) |
| 402 | (402.45:1) |

### Input Mounting:

SAE "A" (2 & Modified 4 Bolt)  
 SAE "B" (2 & 4 Bolt)  
 SAE "C" (2 & 4 Bolt)  
 SAE "D" (4 Bolt)

### Input Spline:

4 (14T 12/24 DP Spline)  
 9 (13T 8/16 DP Spline)

### Oil Volume (3 Stage With 254)

| LUBRICATION                                | ORIENTATION | HORIZONTAL:       | VERTICAL:<br>PINION DOWN             | VERTICAL:<br>PINION UP |
|--|-------------|-------------------|--------------------------------------|------------------------|
| QUANTITY                                   |             | 10.00 Qt          | 17.00 QT                             | 17 Qt                  |
| OIL FILL LEVEL<br>(GRADE GL-5<br>EP 80/90) |             | FILL TO: PORT 'A' | FILL TO: 1.5" FROM<br>COVER PORT 'A' | FILL TO: PORT 'B'      |

All Units Shipped Without Oil

### NOTES:

1. SPECIFICATIONS CALLED OUT IN MOTOR MOUNT DIMENSIONS SECTION.



# 440 GEAR DRIVE - SHAFT OUTPUT

440,000 in-lb (49,720 N-m) Intermittent Rating 220,000 in-lb (24,800 N-m) Continuous Rating  
Typical Applications: Industrial, Marine or Mobile Equipment

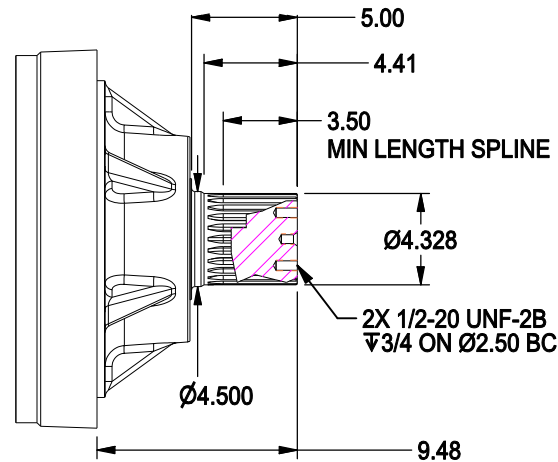
(913) 782-1238 (Tel)  
(913) 782-4206 (Fax)  
Sales@Eskridgeinc.com  
www.Eskridgeinc.com  
FORM: PS440L-AC  
SHEET 4 OF 6

## Output Shaft Options *Values are shown as inches.*

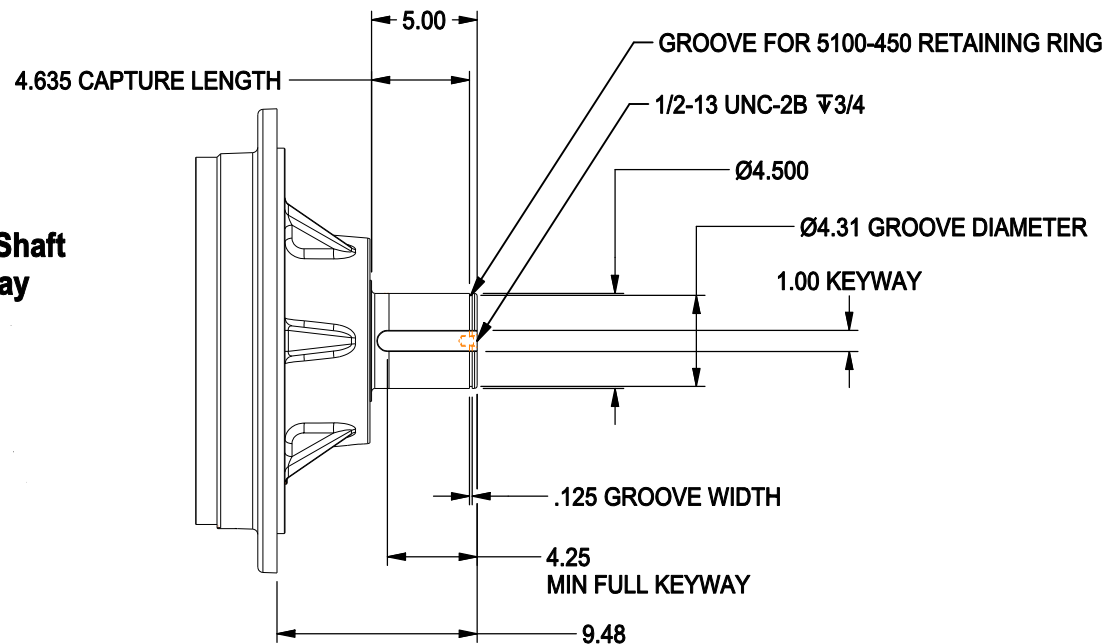
### D1 Output Shaft 25 Tooth 6/12 DP Spline

AVAILABLE OPTIONS:  
SPLINED HUB: P/N 42-004-4052  
RETAINER KIT: P/N 42-018-0221

*See Hubs & Pinions technical  
data sheet for details*



### D2 Output Shaft 1" Keyway





# 440 GEAR DRIVE - SHAFT OUTPUT

440,000 in-lb (49,720 N-m) Intermittent Rating 220,000 in-lb (24,800 N-m) Continuous Rating  
 Typical Applications: Industrial, Marine or Mobile Equipment

(913) 782-1238 (Tel)  
 (913) 782-4206 (Fax)  
[Sales@Eskridgeinc.com](mailto:Sales@Eskridgeinc.com)  
[www.Eskridgeinc.com](http://www.Eskridgeinc.com)  
 FORM: PS440L-AC

SHEET 5 OF 6

## Performance Ratings

Maximum Intermittent Output Torque: 440,000 in-lb (49,720 N-m)  
 Continuous Output Torque: 220,000 in-lb (24,800 N-m)  
 Maximum Input Speed: 3,000 RPM  
 Maximum Operating Ambient Temperature: 110° F (43° C)  
 Minimum Operating Ambient Temperature: -20° F (-28° C)

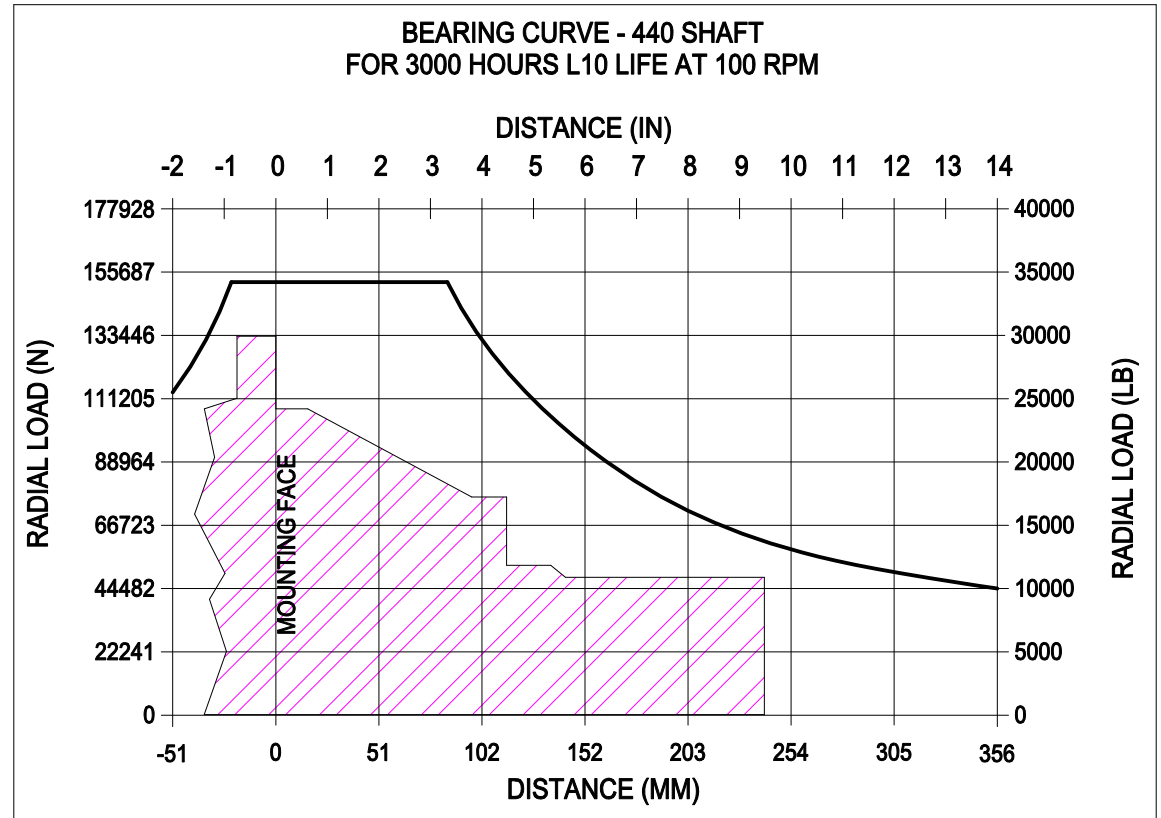
*Consult your Eskridge representative to determine ratings for your specific application or configuration*

## Motor Mount Dimensions

| PILOT DIMENSIONS     | BOLT CIRCLE  |
|----------------------|--|
| SAE 'C' Ø5.001/5.004 | 4X 1/2-13 UNC-2B ∇1 ON Ø6.375 B.C.<br>2X 5/8-11 UNC-2B ∇1 ON Ø7.125 B.C. |
| SAE 'D' Ø6.000/6.004 | 4X 3/4-10 UNC-2B ∇1 ON Ø9.000 B.C.                                       |
| SAE 'E' Ø6.501/6.505 | 4X 3/4-10 UNC-2B ∇1 ON Ø12.500 B.C.                                      |

## Approximate Unit Weight

Single Stage: 450 lb (204 kg)  
 Two Stage: 700 lb (318 kg)  
 Three Stage: 850 lb (386 kg)



To adjust for loads and speeds other than those shown on above curve, use this formula:

$$\text{Adjusted Life (hours)} = 3000 \left( \frac{100 \text{ rpm}}{\text{Speed (Adjusted)}} \right) \times \left( \frac{\text{Load (Curve)}}{\text{Load (Adjusted)}} \right)^{10/3}$$



# 440 GEAR DRIVE - SHAFT OUTPUT

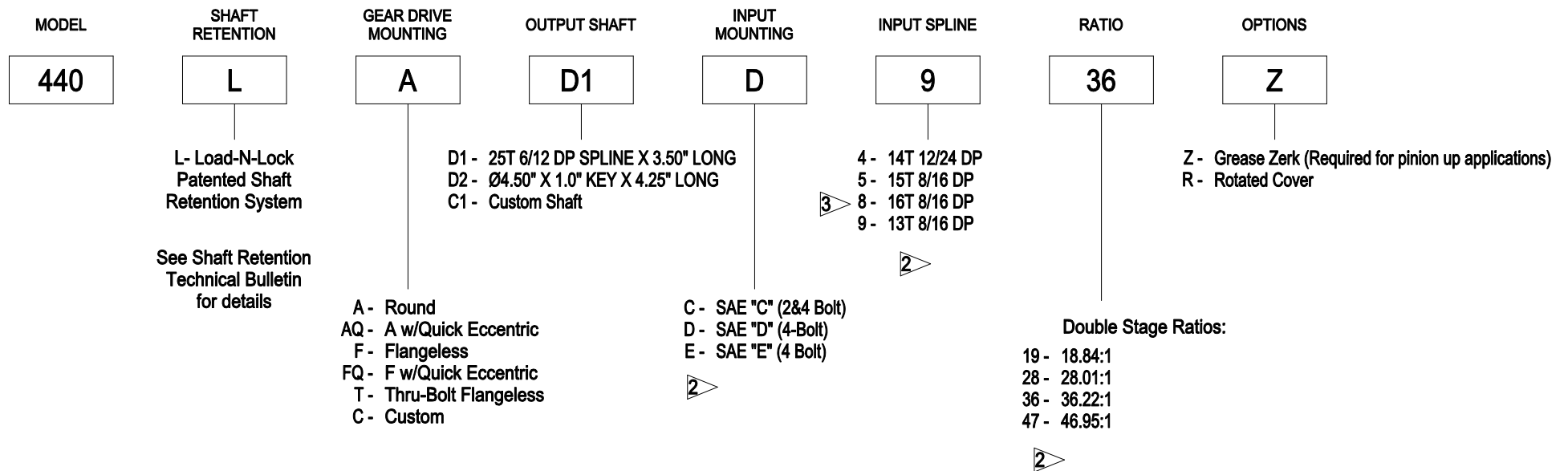
440,000 in-lb (49,720 N-m) Intermittent Rating 220,000 in-lb (24,800 N-m) Continuous Rating  
 Typical Applications: Industrial, Marine or Mobile Equipment

(913) 782-1238 (Tel)  
 (913) 782-4206 (Fax)  
[Sales@Eskridgeinc.com](mailto:Sales@Eskridgeinc.com)  
[www.Eskridgeinc.com](http://www.Eskridgeinc.com)  
 FORM: PS440L-AC

SHEET 6 OF 6

## Ordering Information

Example Part Number: 440LAD1D9-36-Z



## NOTES:

1. TWO STAGE RATIO GEARBOX SHOWN IN EXAMPLE.
2. THREE STAGE INPUT MOUNTING, INPUT SPLINE AND RATIOS ARE SHOWN ON PAGES 2 & 3.
3. 16T ONLY AVAILABLE ON 19:1 & 25:1 TWO STAGE RATIOS.