



# 92B Multiple Disc Brake

Typical Applications: Industrial, Marine or Mobile Equipment

(913) 782-1238 (Tel)  
 (913) 782-4206 (Fax)  
[Sales@EskridgeInc.com](mailto:Sales@EskridgeInc.com)  
[www.EskridgeInc.com](http://www.EskridgeInc.com)  
 FORM: PS92B  
 Page 1 of 3

## Performance Ratings

Maximum Release Pressure .....4,000 PSI\*  
 Maximum Continuous Pressure .....4,000 PSI\*  
 Maximum Speed at Full Release Pressure ...3,900 RPM  
 Maximum Operating Temperature .....170° F

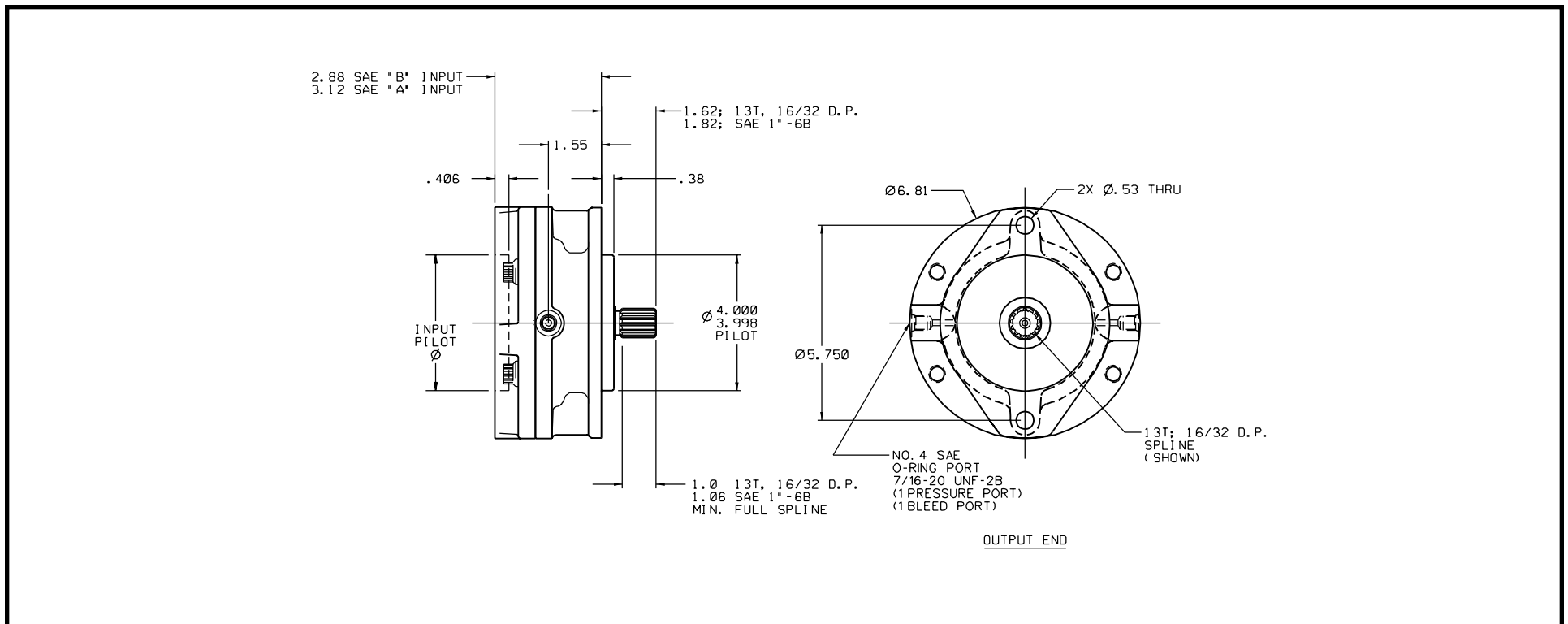
Volume of Oil to Release Brake .....0.3 cubic inches  
 Approximate Weight .....20 lbs / 9 kg  
 Shaft Splines ..... 30° involute,  
 flat root side fit per ANSI  
 B92.1a-1976  
 internal - class 7, external - class 5

Consult your Eskridge representative to determine ratings for your specific application or configuration.

## General Dimensions for 92B Brake

Other options may be available. See ordering information on last page or contact your Eskridge representative for more details.

Values are shown as "inches (millimeters)."



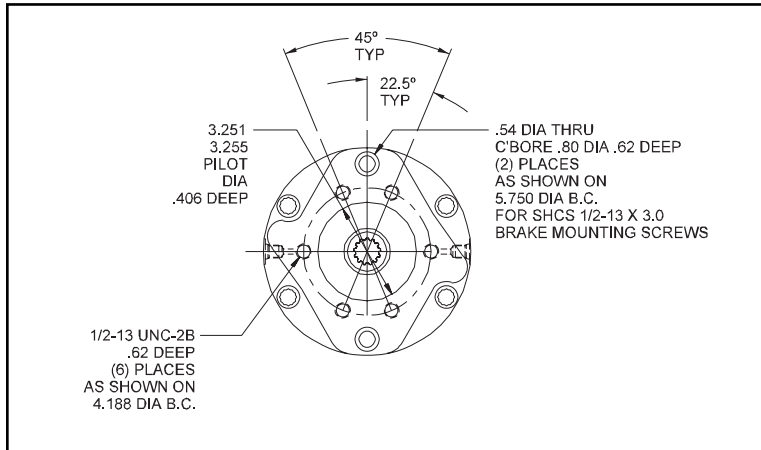


# 92B Multiple Disc Brake

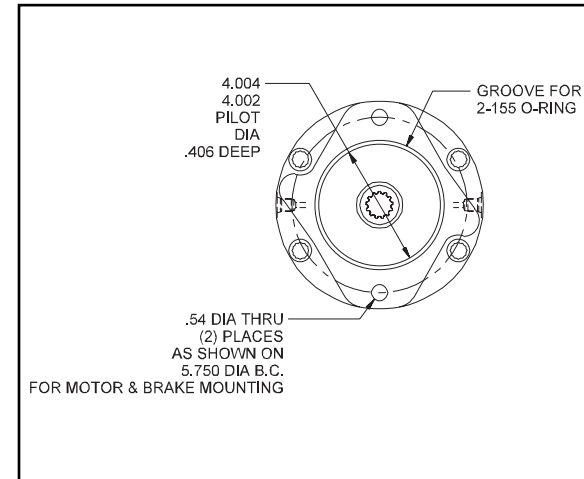
Typical Applications: Industrial, Marine or Mobile Equipment

(913) 782-1238 (Tel)  
(913) 782-4206 (Fax)  
[Sales@EskridgeInc.com](mailto:Sales@EskridgeInc.com)  
[www.EskridgeInc.com](http://www.EskridgeInc.com)  
FORM: PS92B  
Page 2 of 3

## Input Mounting Options *Values are shown as "inches (millimeters)"*



**"A" Option  
SAE 'A' 2 &  
Modified 4 Bolt**



**"B" Option  
SAE 'B' 2 Bolt Thru**



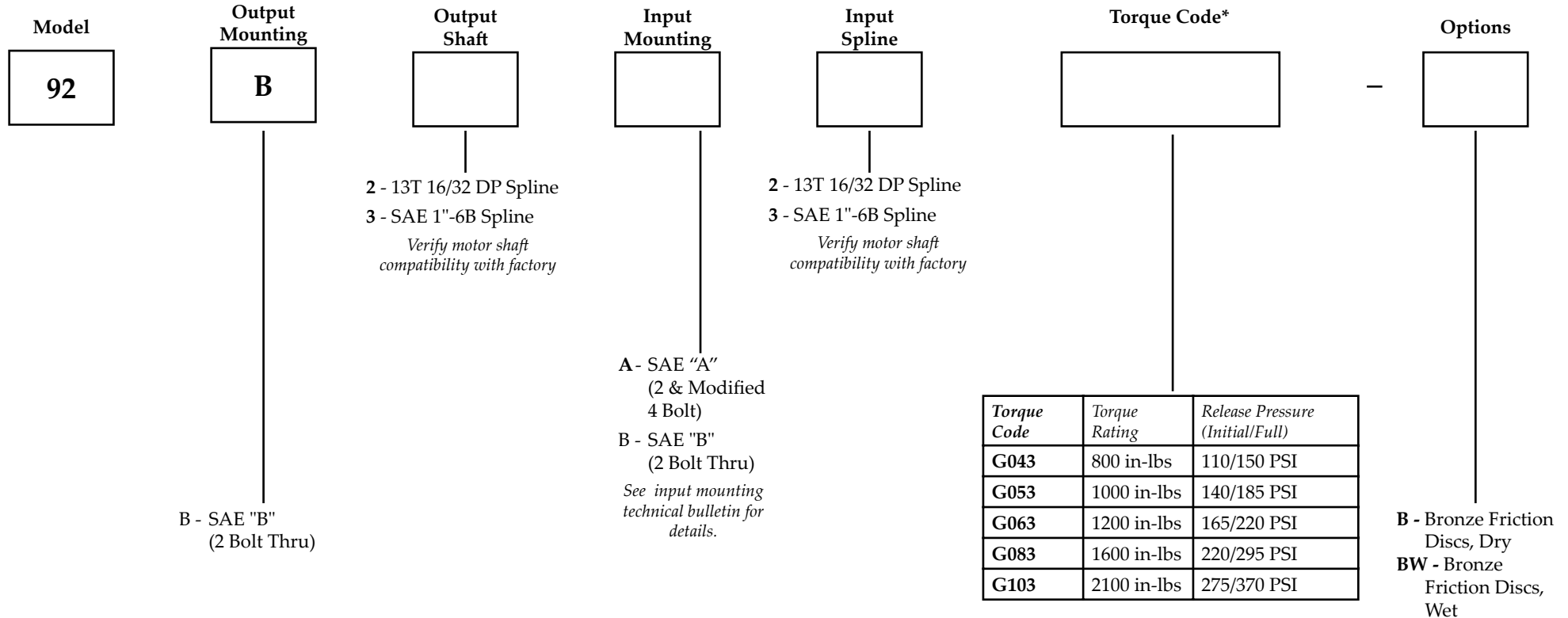
# 92B Multiple Disc Brake

Typical Applications: Industrial, Marine or Mobile Equipment

(913) 782-1238 (Tel)  
 (913) 782-4206 (Fax)  
[Sales@EskridgeInc.com](mailto:Sales@EskridgeInc.com)  
[www.EskridgeInc.com](http://www.EskridgeInc.com)  
 FORM: PS92B  
 Page 3 of 3

## Ordering Information

Example Part Number: 92B2A2G043-F



Values shown are standard units; other torques and release pressures are available. Consult Eskridge for additional information.

Torque\* - Torque ratings are based on standard friction material in ATF-F fluid media or dry bronze at (0) PSI back pressure. Break away torque may vary +/- 10% from specified ratings. The "W" wet option applies to bronze friction discs only and is furnished with mineral based hydraulic oil. Torque rating for wet bronze brakes will vary depending upon the type of oil used. Consult Eskridge for any wet or flow-thru brake applications. Use only mineral based hydraulic oil for release of brake. For flow-thru option "F", use only fluids that are compatible with internal seals.