

MODEL E 65

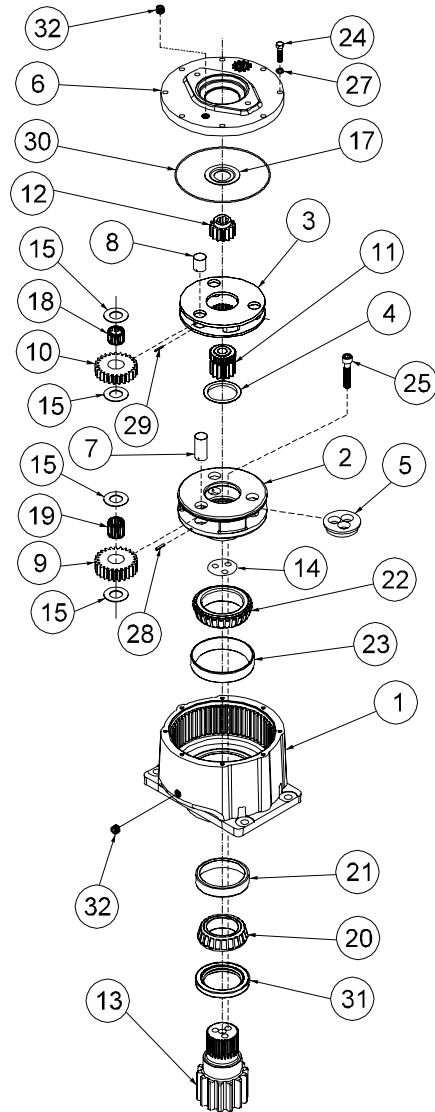
RATIO →

EFFECTIVE FOR: FROM S/N 55013, 6/3/02
TO CURRENT

DOUBLE PLANETARY

19.54:1 4.42	26.52:1 4.42 6.00	33.16:1 7.50 4.42	36.00:1 6.00 6.00	36.00:1 6.00 6.00	46.00:1 7.50 6.00
			W/ CODE 4	W/ CODE 4	

ITEM	QTY	DESCRIPTION	PART NO.	PART NO.	PART NO.	PART NO.	PART NO.	PART NO.
1	1	CASE-EB0 (STD)	83-004-3012	83-004-3012	83-004-3012	83-004-3012	83-004-3012	83-004-3012
2	1	CARRIER (SEC)	83-004-1262	83-004-1232	83-004-1262	83-004-1232	83-004-1232	83-004-1232
3	1	CARRIER (PRI)	13-004-1032	13-004-1032	13-004-1032	13-004-1032	13-004-1032	13-004-1032
4	1	THRUST WASHER- SECONDARY	81-004-2711	81-004-2711	-	-	-	-
	2	THRUST WASHER- SECONDARY	-	-	81-004-2711	81-004-2711	-	81-004-2711
5	1	PLATE- BEARING RETAINER	86-004-1002	86-004-1002	86-004-1002	86-004-1002	86-004-1002	86-004-1002
COVER	1	SAE 'A' 2 AND MOD 4 BOLT	13-004-1192	13-004-1192	13-004-1192	13-004-1192	13-004-1192	13-004-1192
		SAE 'A' 2 AND MOD 4 BOLT W/ CODE 4	13-004-1252	13-004-1252	13-004-1222	13-004-1222	13-004-1222	13-004-1222
		SAE 'B' 2 BOLT	13-004-1182	13-004-1182	13-004-1232	-	13-004-1182	13-004-1232
		SAE 'B' 2 BOLT W/ CODE 4	13-004-1202	13-004-1202	13-004-1232	13-004-1232	13-004-1232	13-004-1232
		SAE 'C' 2 AND 4 BOLT	13-004-1212	13-004-1212	13-004-1242	13-004-1242	13-004-1242	13-004-1242
		SAE 'C' 2 AND 4 BOLT W/ CODE 4	13-004-1212	13-004-1212	13-004-1242	13-004-1242	13-004-1242	13-004-1242
7	3	PLANET SHAFT (SEC)	83-004-1031	83-004-1031	83-004-1031	83-004-1031	83-004-1031	
8	3	PLANET SHAFT (PRI)	13-004-1021	13-004-1021	13-004-1021	13-004-1021	13-004-1021	
9	3	PLANET GEAR (SEC)	83-004-1272	83-004-1242	83-004-1272	83-004-1242	83-004-1242	
10	3	PLANET GEAR (PRI)	13-004-1102	13-004-1102	13-004-1122	13-004-1112	13-004-1122	
11	1	SUN GEAR	83-004-1282	83-004-1252	83-004-1282	83-004-1252	83-004-1252	
INPUT GEAR	1	CODE 2 - INPUT - 13T 16/32 DP	13-004-1292	13-004-1292	13-004-1312	-	13-004-1302	13-004-1312
		CODE 3 - INPUT - SAE 1"-6B	13-004-1322	13-004-1322	13-004-1472	-	13-004-1332	13-004-1472
		CODE 4 - INPUT 14T 12/24 DP	13-004-1342	13-004-1342	13-004-1362	13-004-1352	13-004-1362	13-004-1362
		CODE 5 - INPUT 15T 16/32 DP	13-004-1452	13-004-1452	-	-	13-004-1442	-
		SHAFT- PER CUSTOMER SPEC	-	-	-	-	-	-
13	1	SHAFT- PER CUSTOMER SPEC	-	-	-	-	-	
14	*	SHIMS	83-004-1101	83-004-1101	83-004-1101	83-004-1101	83-004-1101	
15	12	THRUST WASHER- PLANET	81-004-1561	81-004-1561	81-004-1561	81-004-1561	81-004-1561	
17	1	THRUST WASHER-INPUT	81-004-2701	81-004-2701	-	-	81-004-2701	
18	3	BEARING - PRI. PL.	01-105-0590	01-105-0590	01-105-0590	01-105-0590	01-105-0590	
19	3	BEARING - SEC. PL.	01-105-0500	01-105-0500	01-105-0500	01-105-0500	01-105-0500	
20	1	BEARING CONE	01-102-0090	01-102-0090	01-102-0090	01-102-0090	01-102-0090	
21	1	BEARING CUP	01-103-0080	01-103-0080	01-103-0080	01-103-0080	01-103-0080	
22	1	BEARING CONE	01-102-0100	01-102-0100	01-102-0100	01-102-0100	01-102-0100	
23	1	BEARING CUP	01-103-0090	01-103-0090	01-103-0090	01-103-0090	01-103-0090	
24	8	H.H.C.S. 3/8-16-1 1/2 GR8	01-150-1670	01-150-1670	01-150-1670	01-150-1670	01-150-1670	
25	3	S.H.C.S. 1/2-20 2 1/2 GR8	01-150-1480	01-150-1480	01-150-1480	01-150-1480	01-150-1480	
27	8	LOCKWASHER 3/8 MED	01-166-0010	01-166-0010	01-166-0010	01-166-0010	01-166-0010	
28	3	ROLL PIN - SEC. PL. 3/16 X 7/8	01-153-0210	01-153-0210	01-153-0210	01-153-0210	01-153-0210	
29	3	ROLL PIN - PRI. PL. 1/8 X 7/8	01-153-0180	01-153-0180	01-153-0180	01-153-0180	01-153-0180	
30	1	O-RING	01-402-0420	01-402-0420	01-402-0420	01-402-0420	01-402-0420	
31	1	SHAFT SEAL	01-405-0380	01-405-0380	01-405-0380	01-405-0380	01-405-0380	
32	2	PIPE PLUG 3/8 NPT MAGNETIC	01-207-0070	01-207-0070	01-207-0070	01-207-0070	01-207-0070	
36	1	BEARING	-	-	01-112-0220	01-112-0220	-	
37	1	THRUST RACE-USED WITH "BLIND SPLINE" INPUTS	-	-	01-112-0230	01-112-0230	-	
38	**	GREASE FITTING 1/8 NPT 65°	01-215-0070	01-215-0070	01-215-0070	01-215-0070	01-215-0070	



* QUANTITY OF SHIMS DETERMINED BY PRELOAD DESIRED AND PART STACK-UP
SEAL KIT P/N 83-016-5011 (INCLUDES 1 EACH OF ITEMS 30 & 31).