

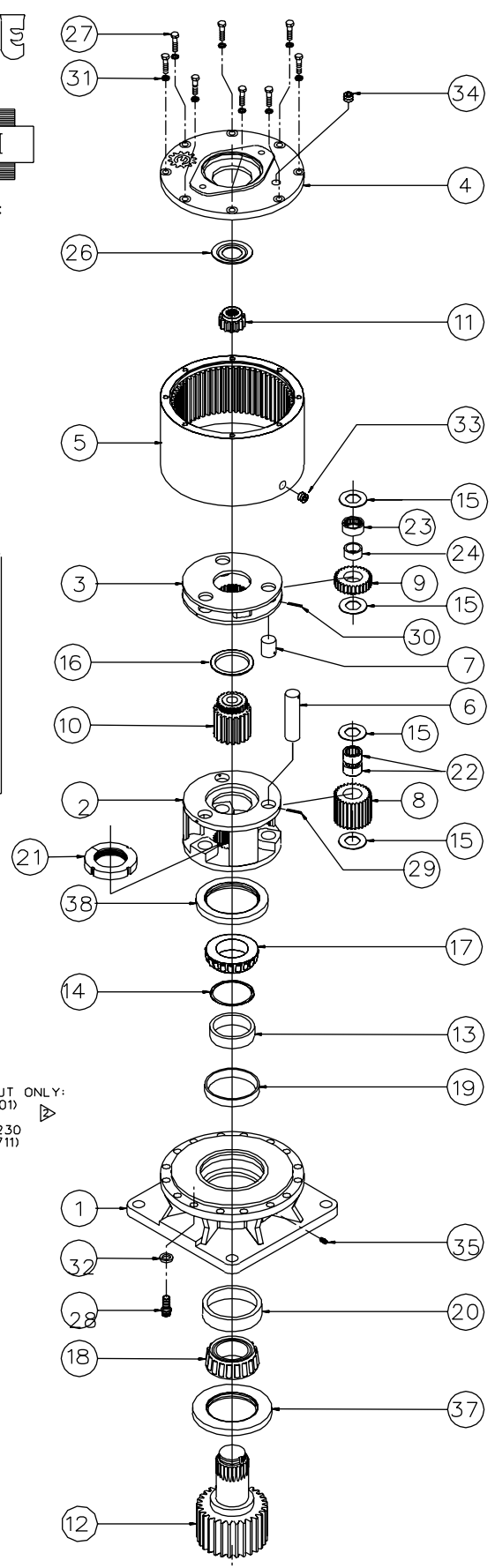
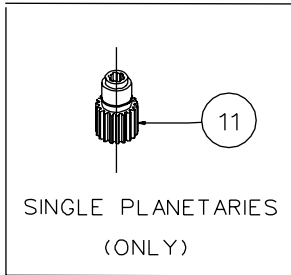
MODEL 120H

EFFECTIVE FROM:

S/N 17802

DATE 02/15/94

ITEM	DESCRIPTION	PART NUMBER	RATIO	
			4.42:1 6.00:1	19.54:1 26.52:1 36.00:1
			QTY	QTY
1	BASE	-A-	1	1
2	CARRIER (SEC)	-B-	1	1
3	CARRIER (PRI)	-C-	-	1
4	COVER	-D-	1	1
5	RING GEAR	81-004-2362	1	1
6	PLANET SHAFT (SEC)	81-004-0061	3	3
7	PLANET SHAFT (PRI)	81-004-0071	-	3
8	PLANET GEAR (SEC)	-E-	3	3
9	PLANET GEAR (PRI)	-F-	-	3
10	SUN GEAR	-G-	-	1
11	INPUT GEAR	-H-	1	1
12	OUTPUT SHAFT	-I-	1	1
13	BEARING SPACER	81-004-2051	1	1
14	SHIM	81-004-2061	-J-	-J-
15	THRUST WASHER - PLANET	81-004-1561	6	12
16	THRUST WASHER - CARRIER	81-004-2711	-	1
17	BEARING CONE	01-102-0030	1	1
18	BEARING CONE	01-102-0020	1	1
19	BEARING CUP	01-103-0030	1	1
20	BEARING CUP	01-103-0020	1	1
21	CLAMP NUT	01-104-0090	1	1
22	BEARING - SEC. PLANET	01-105-0480	6	6
23	BEARING - PRI. PLANET	01-105-0460	-	3
24	BEARING RACE - PRI. PLANET	01-105-0470	-	3
26	INPUT THRUST WASHER	81-004-2701	1	1
27	HEX HD CAPSCREW	01-150-1020	8	8
28	FLANGE 12-PT SCREW	01-150-1460	16	16
29	ROLL PIN - SEC. PLANET	01-153-0020	3	3
30	ROLL PIN - PRI. PLANET	01-153-0180	-	3
31	LOCKWASHER	01-166-0010	8	8
32	FLAT WASHER - HARDENED	01-166-0120	16	16
33	MAGNETIC PIPE PLUG	01-207-0041	2	2
34	MAGNETIC PIPE PLUG	01-207-0070	1	1
35	GREASE FITTING (OPTIONAL)	01-215-0040	1	1
36	O-RING	01-402-0420	2	2
37	SHAFT SEAL - OUTER	01-405-0270	1	1
38	SHAFT SEAL - INNER	01-405-0280	1	1



NOTE	CODE	BASE	PART NUMBER
	A120	ROUND FLANGE	81-004-0342
	B120	SQUARE FLANGE	81-004-0592
-A-	E120	RECTANGLE FLANGE	81-004-3072
	F120	FLANGELESS	81-004-1142
	C120	CUSTOM	

NOTE	CODE	SINGLE PLANETARY DESCRIPTION	PART NUMBER	
			4.42:1 RATIO	6.00:1 RATIO
-B-	-	CARRIER (SEC)	81-004-2863	81-004-2873
-C-	-	CARRIER (PRI)	N/A	N/A
-E-	-	PLANET GEAR (SEC)	81-004-1772	81-004-1782
-F-	-	PLANET GEAR (PRI)	N/A	N/A
-G-	-	SUN GEAR	N/A	N/A
	1	INPUT GEAR - 21 T 20/40 DP	N/A	81-004-2242
	2	INPUT GEAR - 13 T 16/32 DP	N/A	N/A
-H-	3	INPUT GEAR - SAE 1'-6B	81-004-1592	81-004-1572
	4	INPUT GEAR - 14 T 12/24 DP	81-004-1582	81-004-1982
	5	INPUT GEAR - 15 T 16/32 DP	N/A	N/A

36:1 UNITS WITH CODE 4 INPUT ONLY:
REPLACE ITEM 26 (81-004-2701)
WITH: 1 EACH OF 01-112-0220
2 EACH OF 01-112-0230
ADD 1 OF ITEM 16 (81-004-2711)

NOTE	CODE	DOUBLE PLANETARY DESCRIPTION	PART NUMBER		
			19.54:1 RATIO	26.52:1 RATIO	36.00:1 RATIO
-B-	-	CARRIER (SEC)	81-004-2863	81-004-2863	81-004-2873
-C-	-	CARRIER (PRI)	81-004-2732	81-004-2742	81-004-2742
-E-	-	PLANET GEAR (SEC)	81-004-1772	81-004-1772	81-004-1782
-F-	-	PLANET GEAR (PRI)	81-004-1752	81-004-1762	81-004-1762
-G-	-	SUN GEAR	81-004-0712	81-004-0712	81-004-0122
	1	INPUT GEAR - 21 T 20/40 DP	81-004-2342	N/A	N/A
	2	INPUT GEAR - 13 T 16/32 DP	81-004-0652	81-004-0482	81-004-0482
-H-	3	INPUT GEAR - SAE 1'-6B	83-004-1112	83-004-1082	83-004-1082
	4	INPUT GEAR - 14 T 12/24 DP	81-004-1342	SPECIAL	81-004-2792
	5	INPUT GEAR - 15 T 16/32 DP	81-004-1892	81-004-2552	81-004-2552

NOTE	CODE	COVER	PART NUMBER		
			ALL EXCEPT CODE 4 INPUT	WITH CODE 4 INPUT ONLY ALL EXCEPT 36:1	36:1 ONLY
-D-	A	SAE 'A' 2 AND MOD. 4 BOLT	81-004-2803	81-004-2813	81-004-2923
	B	SAE 'B' 2 BOLT	81-004-2723	81-004-2823	81-004-2913
	C	SAE 'C' 2 BOLT AND 4 BOLT	81-004-2833	81-004-2833	81-004-2893

NOTE	CODE	OUTPUT SHAFT	PART NUMBER
-I-	D1	23 T 8/16 DP SPL 2.25" LG	81-004-1392
	D2	3.000" DIA, 5/8" SQ KEY	81-004-0992
	D3	23 T 8/16 DP SPL 1.22" LG	81-004-1412
	D4	23 T 8/16 DP SPL 2.72" LG	81-004-0942
	D5	3.500" DIA, 7/8" SQ KEY	81-004-1152
	C1	CUSTOM	

OPTIONS:

SEAL KIT P/N 81-016-0311
(INCLUDES 2 OF ITEM 36 AND
1 EACH OF ITEMS 37 AND 38)

NOTE -J- BEARING PRELOAD DETERMINES QUANTITY OF SHIMS.