



440 Gear Drive - Shaft Output

Typical Applications: Industrial, Marine or Mobile Equipment

(913) 782-1238 (Tel)
 (913) 782-4206 (Fax)
Sales@EskridgeInc.com
www.EskridgeInc.com
 FORM: PS440L-AB
 Page 1 of 3

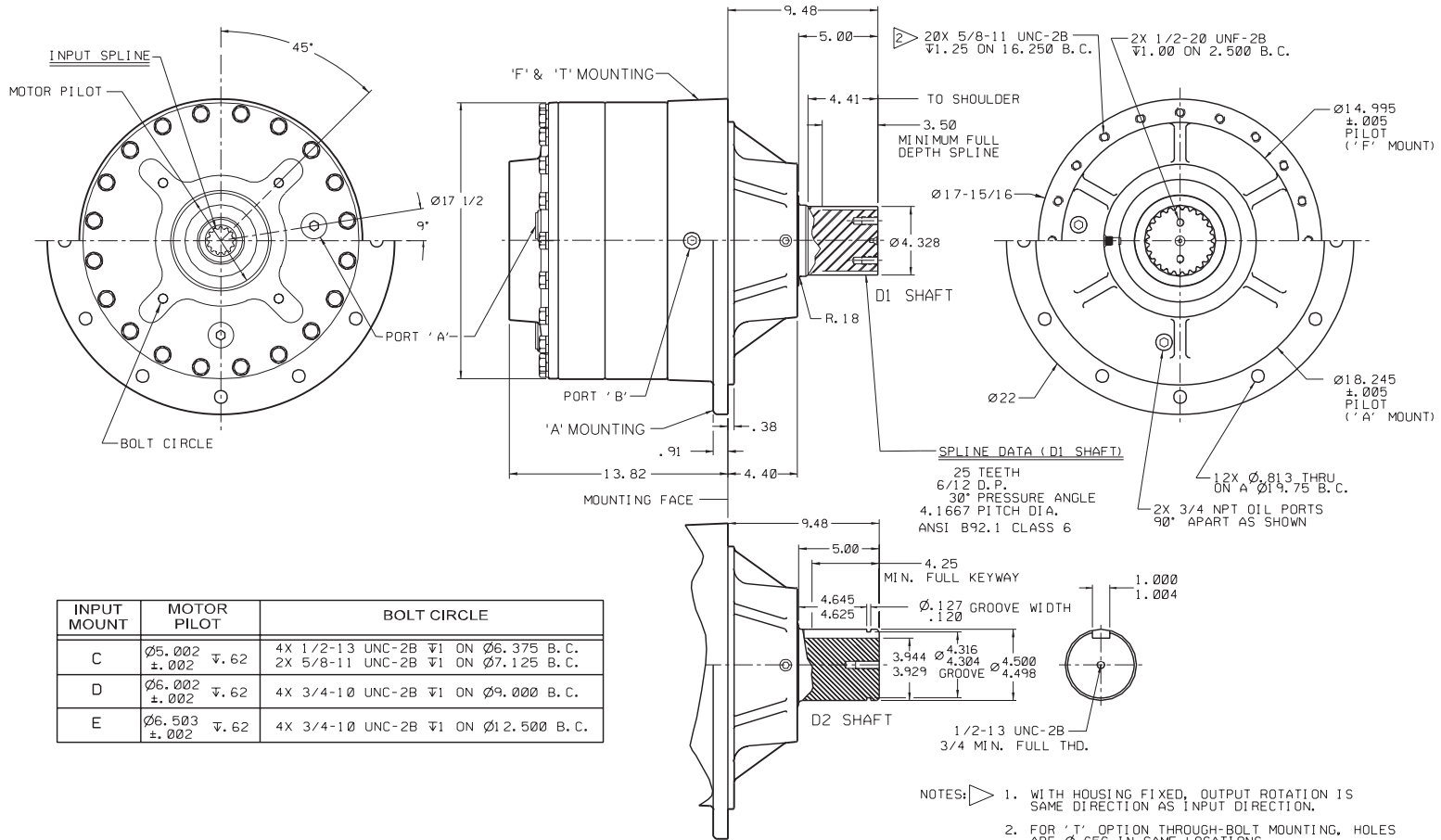
Performance Ratings

Maximum Intermittent Output Torque 440,000 in-lb (49,720 N-m)
 Continuous Output Torque 220,000 in-lb (24,800 N-m)
 Peak Torque Rating..... Consult Eskridge
 Maximum Input Speed (No Load)..... 3,000 RPM

Consult your Eskridge representative to determine ratings for your specific application or configuration.

General Dimensions for Output Shaft Flanged (ordering option 'A') and Flangeless (ordering option 'F') Gear Drive Mountings

Other options may be available. See ordering information on last page or contact your Eskridge representative for more details.





440 Gear Drive - Shaft Output

Typical Applications: Industrial, Marine or Mobile Equipment

(913) 782-1238 (Tel)
 (913) 782-4206 (Fax)
Sales@EskridgeInc.com
www.EskridgeInc.com
 FORM: PS440L-AB
 Page 2 of 3

Approximate Unit Weight

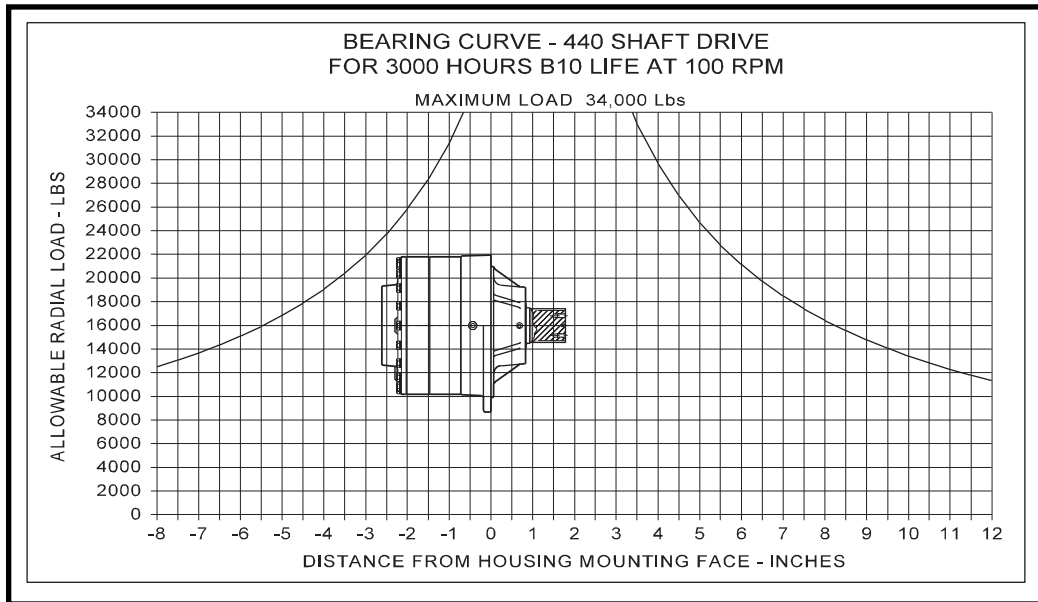
705 lbs / 320 kg

Oil Capacities

Mounting Position	Quantity
Vertical, Pinion Up	14.00 quarts / 13.25 liters
Vertical, Pinion Down	11.00 quarts / 10.41 liters
Horizontal	8.00 quarts / 7.57 liters

All units are shipped dry (without oil).

Shaft Output Bearing Curve



To adjust for loads and speeds other than those shown on above curve, use this formula:

$$\text{Adjusted Life (hours)} = 3000 \left(\frac{100\text{rpm}}{\text{Speed(Adjusted)}} \right) \times \left(\frac{\text{Load (Curve)}}{\text{Load (Adjusted)}} \right)^{10/3}$$



440 Gear Drive - Shaft Output

Typical Applications: Industrial, Marine or Mobile Equipment

(913) 782-1238 (Tel)
 (913) 782-4206 (Fax)
Sales@EskridgeInc.com
www.EskridgeInc.com
 FORM: PS440L-AB
 Page 3 of 3

Ordering Information

Example Part Number: 440LAD1D9-36-Z

Model	Shaft Retention	Gear Drive Mounting	Output Shaft	Input Mounting	Input Spline	Ratio	Options
440	L						
	<p>L - Load-N-Lock™ Patented shaft retention system See shaft retention technical bulletin for details.</p>	<p>A - Round Flange AQ - A w/Quick Eccentric F - Flangeless FQ - F w/ Quick Eccentric T - Thru-Bolt Flangeless C - Custom</p>	<p>D1 - 25T 6/12 DP Spline X 3.50" long D2 - 4.50" Dia X 1.0" Key X 4.25" long C1 - Custom Shaft Adapter Hub available to fit D1 shaft option Adapter Hub: 42-004-4052 Retainer Kit: 42-018-0220 See Hubs & Pinions technical bulletin for details.</p>	<p>C - SAE "C" (2 & 4 Bolt) D - SAE "D" (4 Bolt) E - SAE "E" (4 Bolt) See input mounting technical data sheet for details.</p>	<p>4 - 14T 12/24 DP 5 - 15T 8/16 DP 8* - 16T 8/16 DP 9 - 13T 8/16 DP Verify motor shaft compatibility with factory * 16T only available with 19:1 & 28:1 ratios</p>	<p><i>Double Stage</i> 19 - 18.84:1 28 - 28.01:1 36 - 36.22:1 47 - 46.95:1 <i>Triple Stage</i> 77 - 76.87:1 95 - 95.19:1 114 - 114.30:1 141 - 141.54:1 148 - 147.76:1 183 - 182.99:1 192 - 191.57:1 237 - 237.23:1 Ratios up to 30,000:1 available</p>	<p>Z - Grease Zerk Required for pinion-up applications R - Rotated Cover</p>