



1400 Wheel Drive

Typical Applications: Industrial, Marine or Mobile Equipment

(913) 782-1238 (Tel)
 (913) 782-4206 (Fax)
Sales@EskridgeInc.com
www.EskridgeInc.com
 FORM: PS1400W_0508
 Page 1 of 5

Performance Ratings

Maximum Intermittent Output Torque 1,400,000 in-lb (158,000 N-m)
 Continuous Output Torque 700,000 in-lb (79,000 N-m)
 Peak Torque Rating..... Consult Eskridge
 Maximum Input Speed (No Load)..... 4,000 RPM

Consult your Eskridge representative to determine ratings for your specific application or configuration.

General Dimensions for Flanged (ordering option 'A') base

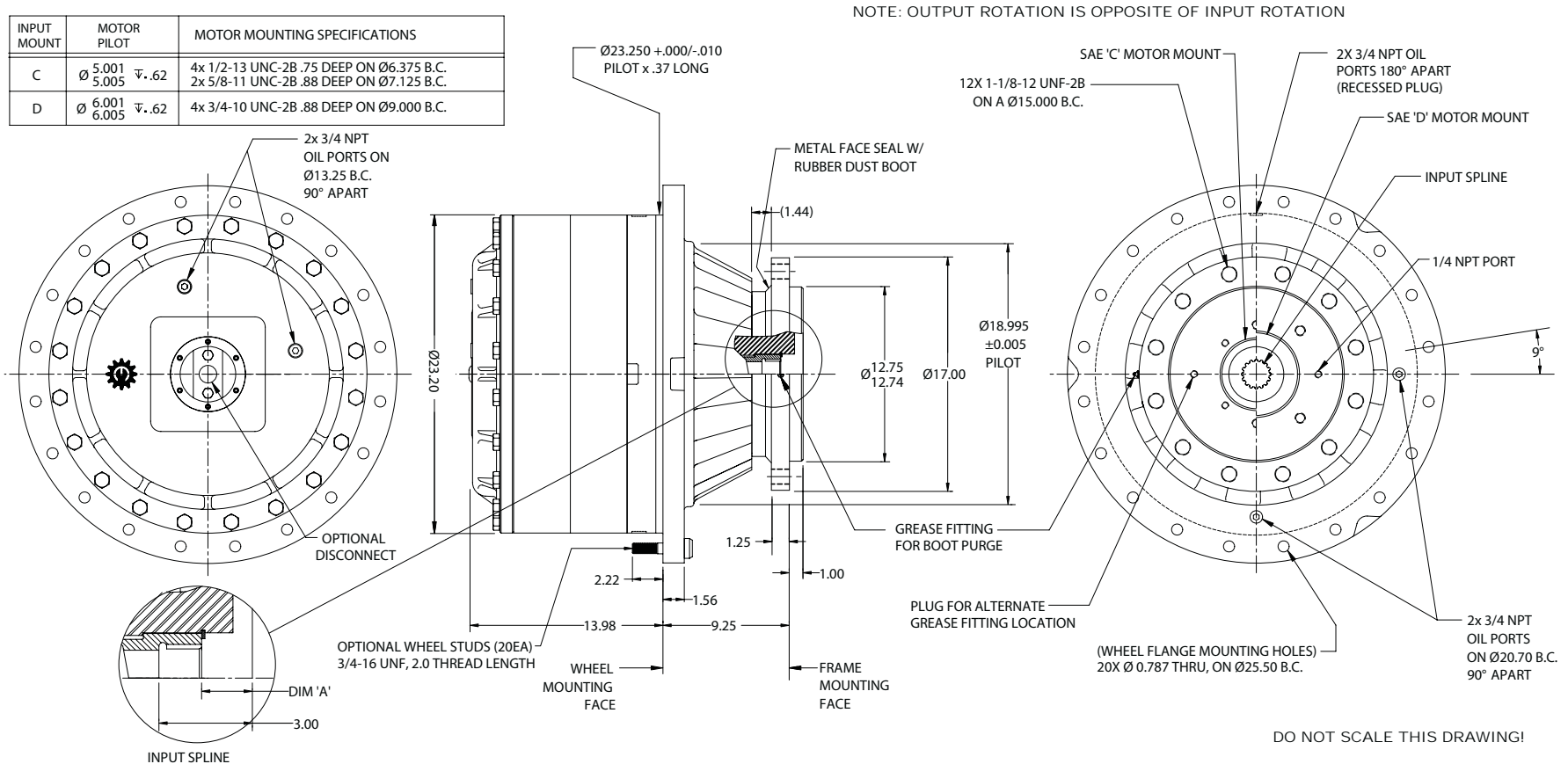
Other options may be available. See ordering information on last page or contact your Eskridge representative for more details.

Values are shown as "inches (millimeters)."

Dimension "A" Specifications

Input Mounting	Input Spline				
	14T 12/24 DP <i>(code 3)</i>	14T 12/24 DP <i>(code 4)</i>	17T 12/24 DP	16T 8/16 DP	13T 8/16 DP
A	.67 (17)	1.36 (34.5)	1.63 (41.4)	1.63 (41.4)	1.63 (41.4)
F	.67 (17)	1.36 (34.5)	1.63 (41.4)	1.63 (41.4)	1.63 (41.4)
C	Consult Eskridge				

INPUT MOUNT	MOTOR PILOT	MOTOR MOUNTING SPECIFICATIONS
C	Ø 5.001 5.005 ▽.62	4x 1/2-13 UNC-2B .75 DEEP ON Ø6.375 B.C. 2x 5/8-11 UNC-2B .88 DEEP ON Ø7.125 B.C.
D	Ø 6.001 6.005 ▽.62	4x 3/4-10 UNC-2B .88 DEEP ON Ø9.000 B.C.



DO NOT SCALE THIS DRAWING!



1400 Wheel Drive

Typical Applications: Industrial, Marine or Mobile Equipment

(913) 782-1238 (Tel)
 (913) 782-4206 (Fax)
Sales@EskridgeInc.com
www.EskridgeInc.com
 FORM: PS1400W_0508
 Page 2 of 5

Performance Ratings

Maximum Intermittent Output Torque 1,400,000 in-lb (158,000 N-m)
 Continuous Output Torque 700,000 in-lb (79,000 N-m)
 Peak Torque Rating..... Consult Eskridge
 Maximum Input Speed (No Load)..... 4,000 RPM

Consult your Eskridge representative to determine ratings for your specific application or configuration.

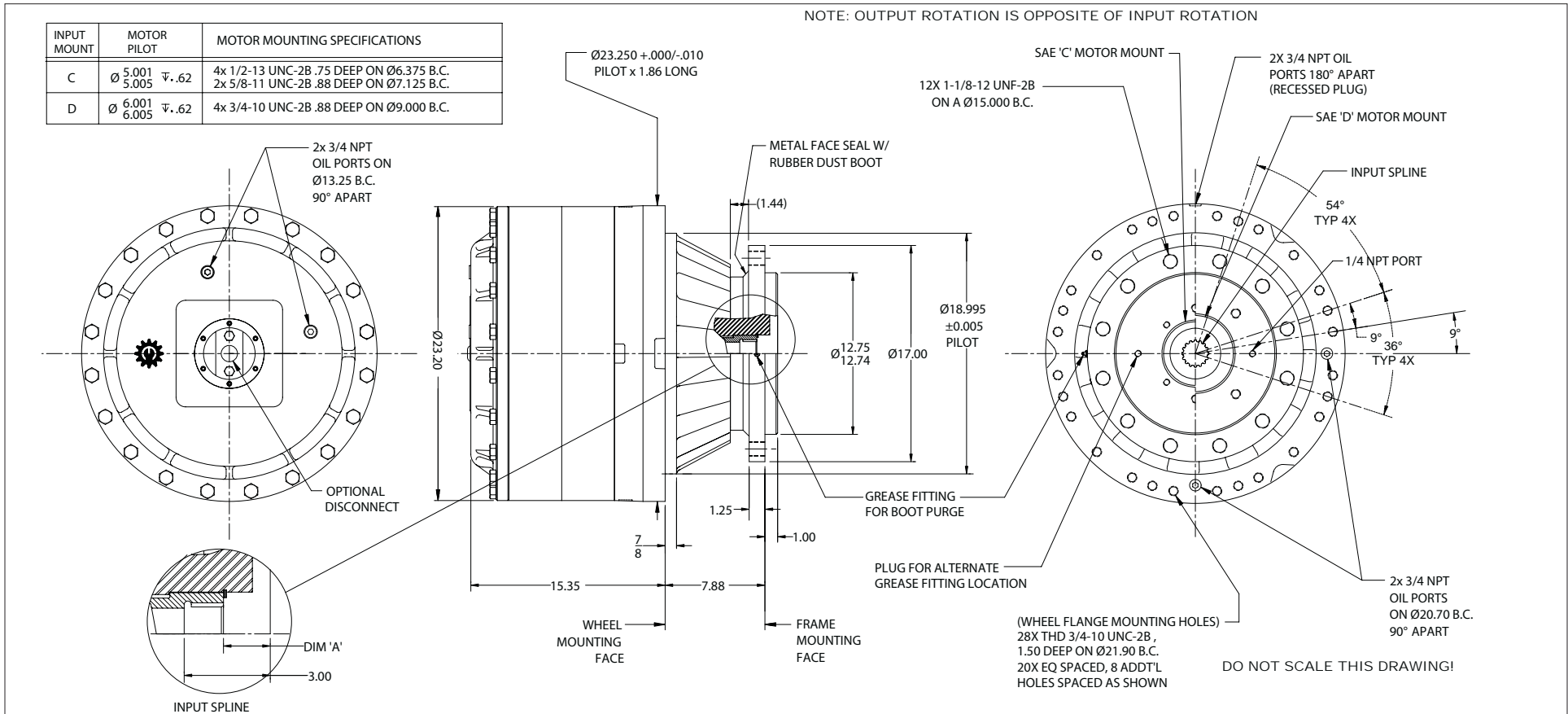
General Dimensions for Flangeless (ordering option 'F') base

Other options may be available. See ordering information on last page or contact your Eskridge representative for more details.

Values are shown as "inches (millimeters)."

Dimension "A" Specifications

Input Mounting	Input Spline				
	14T 12/24 DP (code 3)	14T 12/24 DP (code 4)	17T 12/24 DP	16T 8/16 DP	13T 8/16 DP
A	.67 (17)	1.36 (34.5)	1.63 (41.4)	1.63 (41.4)	1.63 (41.4)
F	.67 (17)	1.36 (34.5)	1.63 (41.4)	1.63 (41.4)	1.63 (41.4)
C	Consult Eskridge				





1400 Wheel Drive

Typical Applications: Industrial, Marine or Mobile Equipment

(913) 782-1238 (Tel)
 (913) 782-4206 (Fax)
Sales@EskridgeInc.com
www.EskridgeInc.com
 FORM: PS1400W_0508
 Page 3 of 5

Performance Ratings

Maximum Intermittent Output Torque 1,400,000 in-lb (158,000 N-m)
 Continuous Output Torque 700,000 in-lb (79,000 N-m)
 Peak Torque Rating..... Consult Eskridge
 Maximum Input Speed (No Load)..... 4,000 RPM

Consult your Eskridge representative to determine ratings for your specific application or configuration.

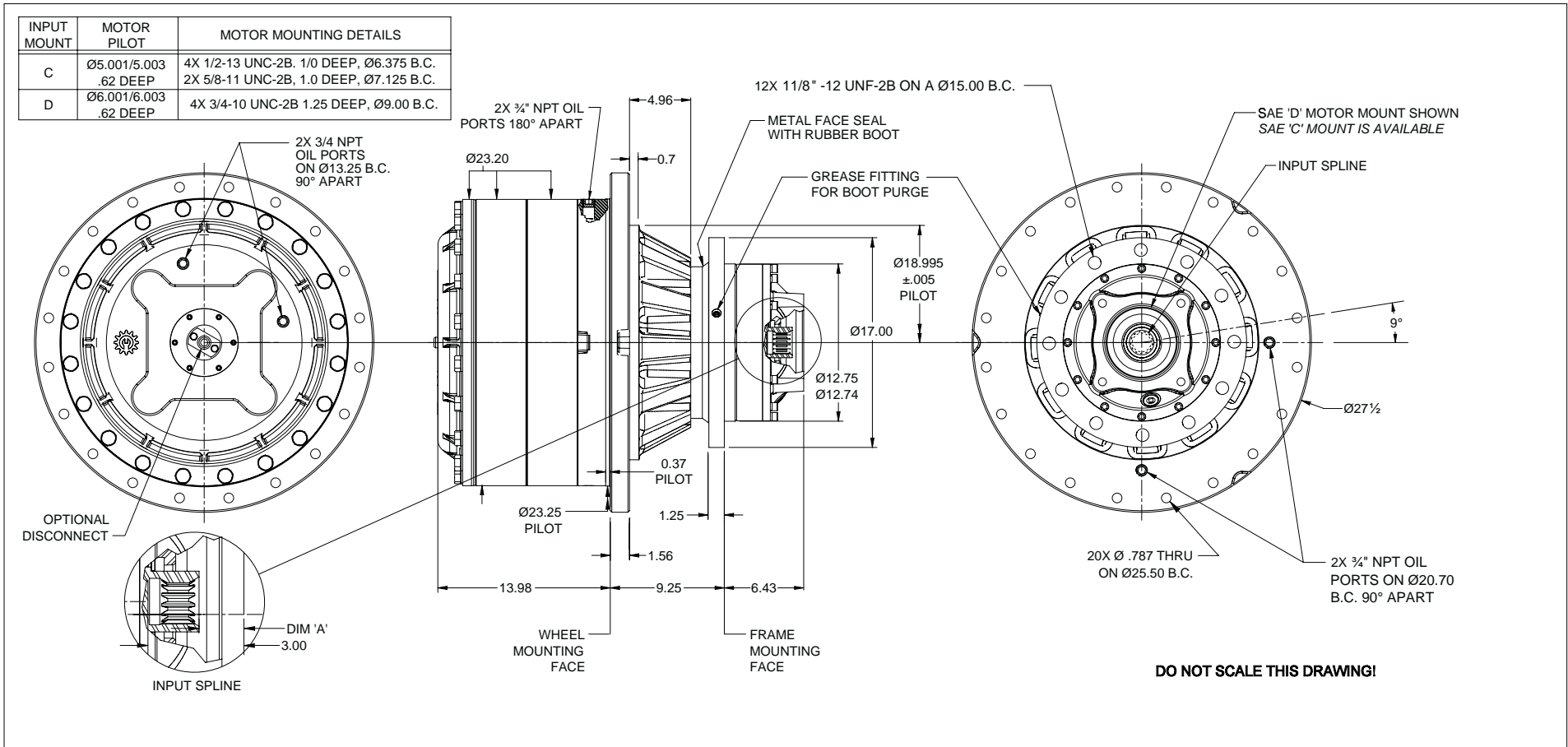
General Dimensions for Flanged (ordering option 'A') base, triple planetary

Other options are available. See ordering information on last page or contact your Eskridge representative for more details.

Values are shown as "inches (millimeters)."

Dimension "A" Specifications

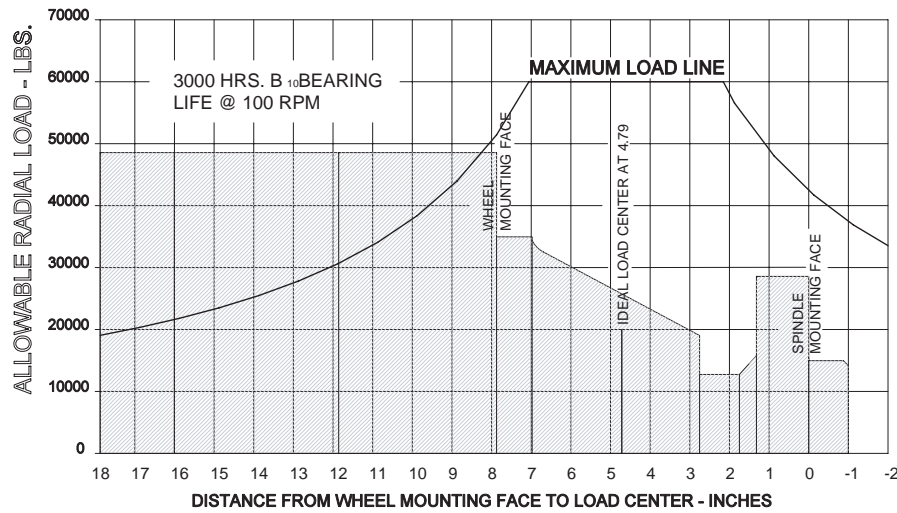
Input Mounting	Input Spline/Motor mount		
	SAE 'C'	SAE 'D'	
	14T 12/24	14T 12/24	13T 8/16
Standard (A,R & F)	.95"	.95"	.95"
Custom (C)	Consult Eskridge		





Bearing Curve

SHAFT BEARING CURVE



Approximate Unit Weight

1,375 - 1,450 lbs / 624 - 658 kg

Oil Capacities

Position	Quantity
Vertical	9.50 gal. / 36 L
Horiz.	5.00 gal / 19 L

All units are shipped dry (without oil).

To adjust for loads and speeds other than those shown on above curve, use this formula:

$$\text{Adjusted Life (hours)} = 3000 \left(\frac{100\text{rpm}}{\text{Speed(Adjusted)}} \right) \times \left(\frac{\text{Load (Curve)}}{\text{Load (Adjusted)}} \right)^{10/3}$$



1400 Wheel Drive

Typical Applications: Industrial, Marine or Mobile Equipment

(913) 782-1238 (Tel)
 (913) 782-4206 (Fax)
Sales@EskridgeInc.com
www.EskridgeInc.com
 FORM: PS1400W_0508
 Page 5 of 5

Ordering Information

Example Part Number: 1400LAW1C9-40-D

