



1000 Wheel Drive

Typical Applications: Industrial, Marine or Mobile Equipment

(913) 782-1238 (Tel)
 (913) 782-4206 (Fax)
Sales@EskridgeInc.com
www.EskridgeInc.com
 FORM: PS1000W_0208
 Page 1 of 4

Performance Ratings

Maximum Intermittent Output Torque 1,000,000 in-lb (113,000 N-m)
 Continuous Output Torque 500,000 in-lb (56,500 N-m)
 Peak Torque Rating..... Consult Eskridge
 Maximum Input Speed (No Load)..... 4,000 RPM

Consult your Eskridge representative to determine ratings for your specific application or configuration.

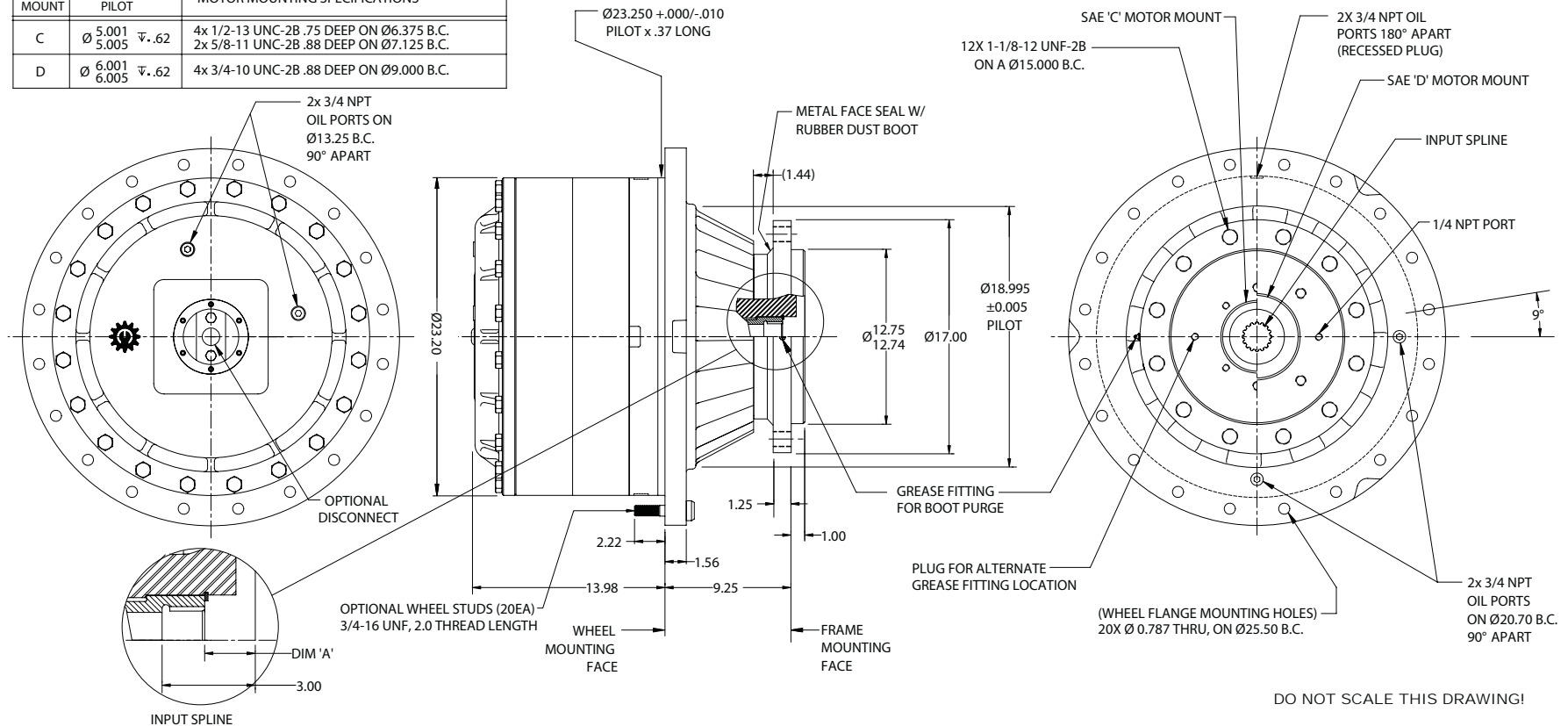
General Dimensions for Flanged (ordering option 'A') base

Other options may be available. See ordering information on last page or contact your Eskridge representative for more details.

Values are shown as "inches (millimeters)."

INPUT MOUNT	MOTOR PILOT	MOTOR MOUNTING SPECIFICATIONS
C	Ø 5.001 5.005 ∇ .62	4x 1/2-13 UNC-2B .75 DEEP ON Ø6.375 B.C. 2x 5/8-11 UNC-2B .88 DEEP ON Ø7.125 B.C.
D	Ø 6.001 6.005 ∇ .62	4x 3/4-10 UNC-2B .88 DEEP ON Ø9.000 B.C.

NOTE: OUTPUT ROTATION IS OPPOSITE OF INPUT ROTATION



DO NOT SCALE THIS DRAWING!



1000 Wheel Drive

Typical Applications: Industrial, Marine or Mobile Equipment

(913) 782-1238 (Tel)
 (913) 782-4206 (Fax)
Sales@EskridgeInc.com
www.EskridgeInc.com
 FORM: PS1000W_0208
 Page 2 of 4

Performance Ratings

Maximum Intermittent Output Torque 1,000,000 in-lb (113,000 N-m)
 Continuous Output Torque 500,000 in-lb (56,500 N-m)
 Peak Torque Rating..... Consult Eskridge
 Maximum Input Speed (No Load)..... 4,000 RPM

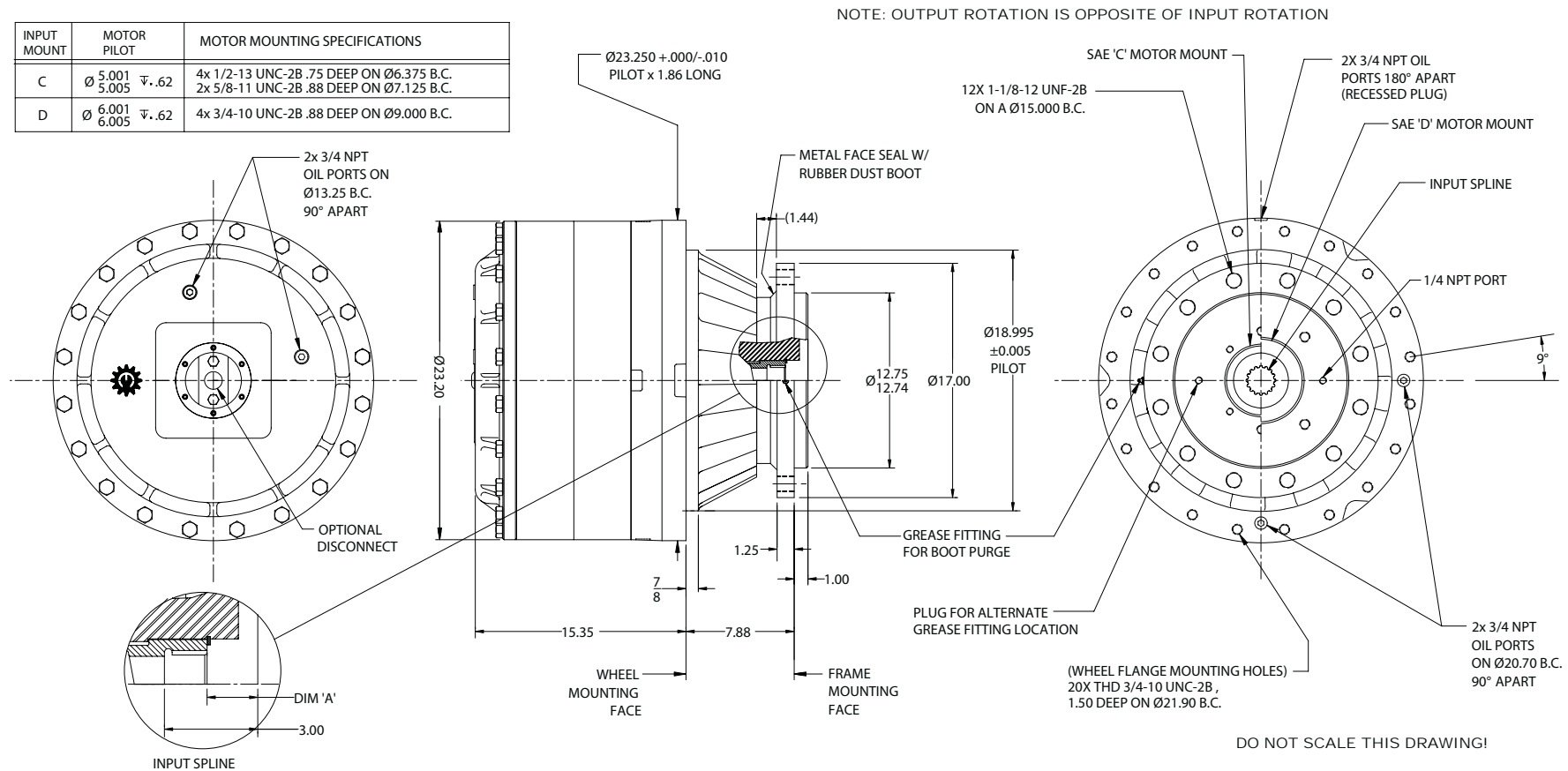
Consult your Eskridge representative to determine ratings for your specific application or configuration.

General Dimensions for Flangeless (ordering option 'F') base

Other options may be available. See ordering information on last page or contact your Eskridge representative for more details.

Values are shown as "inches (millimeters)."

INPUT MOUNT	MOTOR PILOT	MOTOR MOUNTING SPECIFICATIONS
C	Ø 5.001 5.005 ∇ .62	4x 1/2-13 UNC-2B .75 DEEP ON Ø6.375 B.C. 2x 5/8-11 UNC-2B .88 DEEP ON Ø7.125 B.C.
D	Ø 6.001 6.005 ∇ .62	4x 3/4-10 UNC-2B .88 DEEP ON Ø9.000 B.C.





1000 Wheel Drive

Typical Applications: Industrial, Marine or Mobile Equipment

(913) 782-1238 (Tel)
 (913) 782-4206 (Fax)
Sales@EskridgeInc.com
www.EskridgeInc.com
 FORM: PS1000W_0208
 Page 3 of 4

Oil Capacities

Position	Quantity
Vertical	9.50 gal. / 36 L
Horiz.	5.00 gal / 19 L

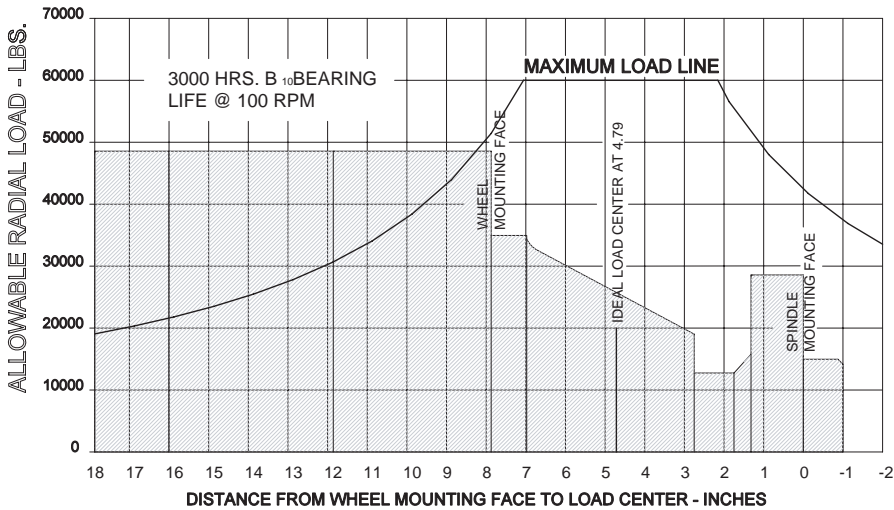
All units are shipped dry (without oil).

Approximate Unit Weight

1,350 - 1,425 lbs / 614 - 648 kg

Bearing Curve

SHAFT BEARING CURVE



Dimension "A" Specifications

Input Mounting	Input Spline			
	14T 12/24 DP	17T 12/24 DP	16T 8/16 DP	13T 8/16 DP
A	0.19 (23.1)	0.91 (23.1)	1.63 (41.4)	1.63 (41.4)
F	0.19 (23.1)	0.19 (23.1)	1.63 (41.4)	1.63 (41.4)
C	Consult Eskridge			

To adjust for loads and speeds other than those shown on above curve, use this formula:

$$\text{Adjusted Life (hours)} = 3000 \left(\frac{100\text{rpm}}{\text{Speed(Adjusted)}} \right) \times \left(\frac{\text{Load (Curve)}}{\text{Load (Adjusted)}} \right)^{10/3}$$



1000 Wheel Drive

Typical Applications: Industrial, Marine or Mobile Equipment

(913) 782-1238 (Tel)
 (913) 782-4206 (Fax)
Sales@EskridgeInc.com
www.EskridgeInc.com
 FORM: PS1000W_0208
 Page 4 of 4

Ordering Information

Example Part Number: 1000LAW1C4-38-Z

