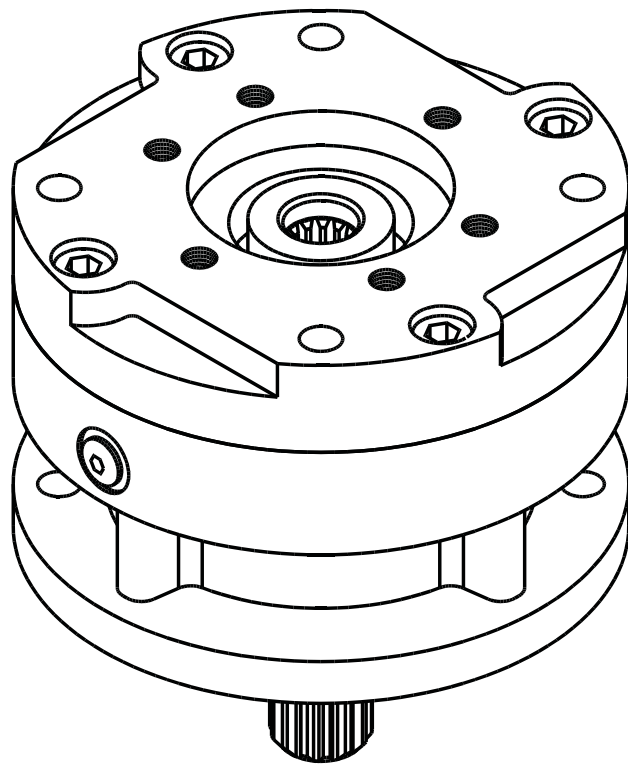


# ESKRIDGE

## 95C MULTIPLE DISC BRAKE SERVICE AND REPAIR MANUAL



### Example Part Number

95	C	4	A	2	B037	W
Series	Output Pilot	Output Spline	Input Pilot	Input Spline	Torque Code	Options

THIS SERVICE MANUAL IS EFFECTIVE  
FROM: ..... S/N 33228, JULY 1983  
TO: ..... S/N 85377, MAY 2007  
REF: ..... SM95C-AF

# 95C SERVICE MANUAL

## SPRING-APPLIED, HYDRAULICALLY-RELEASED, MULTIPLE-DISC BRAKE

This manual will assist in disassembly and assembly of major components for all Model 95C Brakes. Item numbers, indicated in parentheses throughout this manual, refer to the Eskridge model 95C exploded parts breakdown drawings. Individual customer specifications (mounting case, output shaft, brake assembly, etc.) may vary from exploded drawing and standard part numbers shown. If applicable, refer to individual customer drawing for details.

The Model 95C Series Eskridge brake is a spring applied, hydraulically released, multiple disc parking brake. The 95C is designed for "failsafe" type operations. Temperature, wear, and contamination of the friction surfaces will affect the performance of the brake and should be taken into consideration when specifying a required torque rating. Care should be taken to avoid damaging the splines or mounting surfaces during installation. The model 95C is not intended for use in dynamic applications. Please contact Eskridge Sales Dept. about any flow through applications. Brake operation should be tested during normal service operation. Brake inspection and service should be part of the normal service and maintenance schedule of the equipment or vehicle in which it is used. Any loss of holding torque requires the removal, inspection and replacement of suspect components.

## SPECIFICATIONS

<b>Maximum release pressure</b>	3,000 PSI*	<b>Maximum operating temperature</b>	170° F
<b>Maximum continuous pressure</b>	3,000 PSI*	<b>Volume of oil to release brake</b>	.5 cu. in.
<b>Maximum speed at full release pressure</b>	3,900 RPM	<b>Approximate weight</b>	42 lbs.

**Shaft splines** 30° involute, flat root side fit per ANSI B92.1 internal - class 7, external - class 5

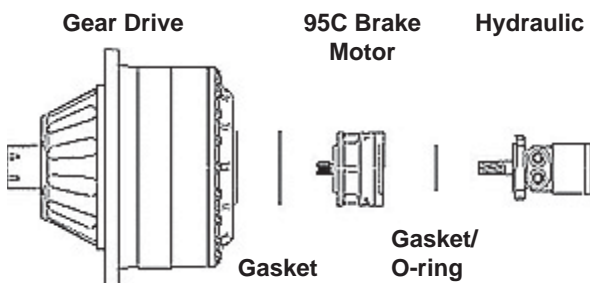
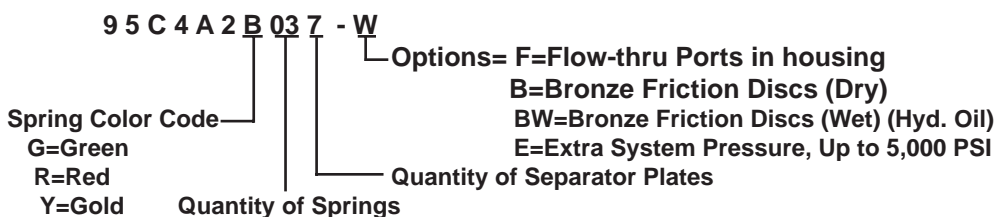
Breakaway torque may vary +/- 10% from specified ratings. Use only mineral base hydraulic oil to release brake.

\*5,000 PSI with 'E'-Extra Pressure option

Torque ratings are based on standard friction material in ATF-F fluid media or dry bronze at (0) PSI back pressure. Break away torque may vary +/-10% from specified ratings. The "W" wet option applies to bronze friction discs only and is furnished with mineral base hydraulic oil. Torque rating for wet bronze brakes will vary depending upon the type of oil used. Use only mineral base hydraulic oil for release of brake. For flow-thru option "F", use only fluids that are compatible with internal seals. Use of fluids other than specified above will alter torque values.

**WARNING:** While working on this equipment, use safe lifting procedures, wear adequate clothing and wear hearing, eye and respiratory protection.

### TORQUE CODE AND OPTIONS



### Torque in Ft-Lbs

Thread Size	SAE Grade 5		SAE Grade 8	
	Dry	Lubed	Dry	Lubed
3/8-16	30	23	45	32
1/2-13	75	55	110	80
5/8-11	150	110	220	170
3/4-10	260	200	380	280

# Installation

**NOTE: Before beginning installation procedures, visually inspect brake mounting flanges and shaft splines for damage during shipping.**

- 1) Position brake and motor for mounting and to orient the bleed and release ports as required. If mounted with shaft horizontal, the bleed port should be at top. It might be necessary to release brake before it can be rotated to align mounting holes. If so, follow instructions in steps 5 and 6 prior to applying release pressure!
- 2) Use only SAE grade 5 (or better) fasteners for mounting brake and motor.

# Disassembly

- 1) Remove any plugs and fittings from the brake pressure and bleed ports. Drain, or blow out, as much hydraulic oil as possible from the brake into a suitable container for proper disposal.
- 2) Place brake on stable work platform, shaft down. Support the brake so it won't fall over.
- 3) Remove the four socket head cap screws ( **8** ) from input end of brake. The capscrews and cover ( **2** ) are under spring load. The capscrews should be loosened gradually and uniformly.
- 4) Remove cover. This will expose the internal components of the brake. The case seal o-ring ( **17** ) will be attached to the cover pilot. Inspect the o-ring and replace with a new one if worn or damaged.
- 5) Remove thrust washer ( **4** ).
- 6) Note the color, number, and spacing of the springs ( **10** ) then remove them from piston ( **6** ). Inspect springs and replace with new ones if damaged, broken or discolored from heat.
- 7) Support the brake, with shaft up, in such a way that the piston can be pushed out the bottom. Two pairs of stacked 2 x 6 wood blocks work well.
- 8) Using a soft-faced hammer, drive the shaft ( **5** ) and piston down out of the case.
- 9) Note arrangement of friction discs ( **11** ), separator plates ( **12** ), and spacer ( **3** ).
- 10) Remove friction discs, separator plates and spacer. Friction discs should be replaced with new ones if oil soaked (dry brakes only). Any friction discs or separator plates that are damaged, warped, or excessively worn should be replaced with new ones.
- 11) Minimum usable stack height, not including the spacer, is 1.650 inches. If the stack of friction discs and separator plates is less than this they should be replaced.
- 12) Inspect brake shaft splines and bearing journals for abnormal wear or damage.
- 13) Remove o-rings ( **15 & 16** ) and back-up rings ( **13 & 14** ) from piston. Replace with new ones if worn or damaged.

**NOTE: Standard o-rings for 3,000 PSI are black nitrile. Option 'E' Extra Pressure o-rings for 5,000 PSI system pressure are light yellow or cream colored urethane.**

- 14) If damaged, the oil seal ( **18** ) and bearing ( **7** ) can be removed

and replaced. Check for wear spots or nicks on the sealing lip of oil seal. Rotate inner race of bearing: rotation should be smooth and without excess drag.

# Assembly

**NOTE: Parts must be clean and dry before assembly. Visually inspect components for damage and abnormal wear. Do not use damaged or worn parts.**

- 1) Place brake case ( **1** ) on a stable work platform, bearing side down. If the oil seal ( **18** ) and bearing ( **7** ) are not being replaced skip to step number 4.
- 2) Install seal from either side of case, pressing until top of seal is flush with case. Open side of seal should be facing inside of brake. A seal installation tool is recommended.
- 3) Press in bearing ( **7** ) from outside. Press against the bearing outer race until the bearing is fully seated in the case. A bearing installation tool is recommended.
- 4) Support the case in such a way that allows room for the shaft ( **5** ) to protrude out the bottom. Two pairs of stacked 2 x 6 wood blocks work well.
- 5) Push the shaft downward through oil seal and bearing until shaft shoulder is seated against bearing.
- 6) Install spacer ( **3** ).
- 7) Install separator plates ( **12** ) and friction discs ( **11** ) in exactly the same order as they were removed. There should be a separator on the top and bottom of the stack. Do not place a friction disc next to the piston. **Be careful not to contaminate the friction disc or separator plate surfaces with dirt, grease, or fluid other than the brake was designed to use.**
- 8) If replacing piston o-rings ( **15 & 16** ) and piston back-up rings ( **13 & 14** ), be sure o-rings are nearest each other with back-up rings to the outside of the piston ( **6** ). Lightly lubricate piston bores and o-rings. **Take care not to get lubricant onto friction pack.**
- 9) Gently slide piston into case until larger o-ring touches case. Using a light to medium duty press, push piston completely into bore. This will squeeze the o-rings and back-up rings and set piston against friction pack.
- 10) Place springs ( **10** ) into spring pockets in piston. Arrange springs in a symmetrical pattern.
- 11) Install thrustwasher ( **4** ).
- 12) For optional double bearing brakes, install bearing into cover ( **2** ).
- 13) Install case seal o-ring ( **17** ) onto pilot of cover.
- 14) Set cover on top of piston, springs, and input end of shaft.
- 15) Apply a non-hardening thread-locking compound to each cover cap screw ( **8** ) and start each one into the case by hand. Tighten cover cap screws 1/2 turn at a time in a criss-cross pattern until cover is tight against the case. Tighten to the torque shown in the chart on page 3. **A light to medium duty press can be used to push the cover down on to the case so the cover bolts can be installed more easily.**
- 16) The brake is now ready for testing of fit, function and release pressure. Use only mineral based hydraulic oil to test and operate Eskridge multiple disc brakes. **Bleed brake before**

**pressurizing.** To test release pressure, be sure one of the two hollow hex plugs (9) is installed. Connect a hydraulic power source (either a hand pump or port-a-power) to the other brake port. Bleed air from brake, then pressurize the brake slowly to the advertised release pressure, both initial and full. As you pressurize the brake, rotate the brake shaft. The brake shaft should be able to turn at the advertised initial release pressure (+ or - 25 PSI). There will be drag on the shaft. Increase the pressure slowly until the shaft spins freely, this is the full release pressure. As you pressurize the brake, look for signs of leaks which would indicate that the o-rings or back-up rings may have been damaged during assembly.

**NOTE: Maximum operating pressure is 3,000 PSI with standard nitrile o-rings on piston and 5,000 PSI with 'E' option urethane o-rings. Operation above this pressure is detrimental to the life of the brake and could be dangerous.**

**THE BRAKE IS NOW READY FOR USE.**

## 95C Repair Kits

Due to the many combinations of torques and release pressures available for the 95C, it is impossible to detail each style and supply a repair kit for each individual model. The information listed in this manual is representative of all 95C brakes. The repair kits listed below will work with all combinations of torque vs. release pressure, input mountings and friction plates. It is entirely possible to have "extra" parts left over from the repair kits after you have complete the repair or maintenance. If you are not sure about what is required for your brake and its configuration, please contact Eskridge sales or engineering department.

**Friction Disc Kit 95-016-2491**  
01-288-0072 Friction Disc, Bronze (8)

**Separator Plate Kit 95-016-2501**  
01-288-0082 Separator Plate (9)

**Seal Kit - Standard 95-016-1181**  
01-400-0191 Back-up Ring, Piston (1)  
01-400-0201 Back-up Ring, Piston (1)  
01-402-0601 O-Ring, Piston (1)  
01-402-0611 O-Ring, Piston (1)  
01-402-0621 O-Ring, Case Seal (1)  
01-402-0010 O-Ring, Mtr., "C" (1)  
01-402-0220 O-Ring, Mtr., "B" (1)  
01-405-0561 Shaft Seal (1)  
90-004-1061 Gasket, SAE "A" (1)  
90-004-1091 Gasket, SAE "B" (2bolt) (1)  
90-004-1391 Gasket, SAE "C" (4bolt) (1)

**Master Rebuild Kit - Standard 95-015-3241**  
95-016-2491 Friction Disc Kit, 95C (1)  
95-016-1181 Seal Kit, 95C (1)  
01-100-0221 Bearing (1)  
95-004-1041 Thrust Washer (1)

**Master Rebuild Kit - Double Bearing Option 95-015-3251**  
95-016-2491 Friction Disc Kit, 95C (1)  
95-016-1181 Seal Kit 95C (1)  
01-100-0221 Bearing (1)  
01-100-0231 Bearing (1)

### Option 'E'-Extra Pressure Option (5.000 PSI) Kits

**Seal Kit - High Pressure 95-016-1211**  
Same as standard seal kit but substitute:  
01-402-0870 for 01-402-0601  
01-402-0880 for 01-402-0611

**Master Rebuild Kit - High Pressure 95-015-3291**  
Same as standard master rebuild kit but substitute:  
95-016-1211 for 95-016-1181

**Master Rebuild Kit - Double Bearings - High Pressure 95-015-3301**  
Same as standard master rebuild kit - double bearings but substitute:  
95-016-1211 for 95-016-1181



# Eskridge Product Warranty

ESKRIDGE, INC. ("Eskridge") warrants to its original purchaser ("Customer") that new component parts/units ("Units") sold by Eskridge will be free of defects in material and workmanship and will conform to standard specifications set forth in Eskridge sales literature current at the time of sale or to any custom specifications acknowledged by written Customer approval of drawings, SUBJECT TO THE FOLLOWING QUALIFICATIONS AND LIMITATIONS:

1. Prior to placing Units in service, the Customer shall provide proper storage such that foreign objects (e.g., rain or debris) cannot enter any Units via entry ports which are normally closed during operation.
2. The Customer must notify Eskridge in writing of any claim for breach of this warranty promptly after discovery of a defect. The warranty period shall commence when a unit is placed in service and shall expire upon the earlier of
  - a. the expiration of twelve (12) months from the date of Commencement of Service (as defined in Paragraph 4)
  - b. the completion of one thousand (1000) hours of service of the Units
  - c. the expiration of six (6) months after the expiration of any express warranty relating to the first item of machinery or equipment in which the Units are installed or on which it is mounted, or
  - d. the installation or mounting of the Units in or on an item of machinery or equipment other than the first such item in which the Units are installed or on which the Units are mounted.
3. Units shall be deemed to have been placed in service (the "Commencement of Service") at the time the machinery or equipment manufactured or assembled by the Customer and in which the Units are installed or on which the Units are mounted is delivered to the Customer's dealer or the original end-user, which ever receives such machinery or equipment first.
4. This warranty shall not apply with respect to Units which, upon inspection by Eskridge, show signs of disassembly, rework, modifications, lack of lubrication or improper installation, mounting, use or maintenance.
5. Eskridge makes no warranty in respect to hydraulic motors mounted on any Units. Failure of any such motor will be referred to the motor manufacturer.
6. Claims under this warranty will be satisfied only by repair of any defect(s) or, if repair is determined by Eskridge in its sole, absolute and uncontrolled discretion to be impossible or impractical, by replacement of the Units or any defective component thereof. No cash payment or credit will be made for defective materials, workmanship, labor or travel. IN NO EVENT SHALL ESKRIDGE BE LIABLE FOR INCIDENTAL OR CONSEQUENTIAL DAMAGES OF ANY KIND OR NATURE, FOR WHICH DAMAGES ARE HEREBY EXPRESSLY DISCLAIMED.
7. From time to time, Eskridge may make design changes in the component Units manufactured by it without incorporating such changes in the component Units previously shipped. Such design changes shall not constitute an admission by Eskridge of any defects or problems in the design of previously manufactured component Units.
8. All freight charges on Units returned for warranty service are the responsibility of the Customer.

## Warranty Return Policy

1. Any part/Unit(s) returned to Eskridge must be authorized by Eskridge with an assigned return (CSR) number.
2. All Units shall be returned freight prepaid.
3. Any Units qualifying for warranty will be repaired with new parts free of charge (except for freight charges to Eskridge as provided above).
4. If Units are found to be operable, you have two options:
  - a. The Units can be returned to you with a service charge for inspection, cleaning, and routine replacement of all rubber components and any other Units that show wear;
  - b. We can dispose of the Unit(s) at the factory if you do not wish it to be returned.

**NOTE:** Any order of Units by customer shall only be accepted by Eskridge subject to the terms stated herein. Any purchase order forms used by Customer (to accept this offer to sell) which contain terms contrary to, different from, or in addition to the terms herein shall be without effect, and such terms shall constitute material alteration of the offer contained herein under K.S.A 84-2-207 (2)(b), and shall not become part of the contract regarding the sale of the Units.

The foregoing warranty is the sole warranty made by Eskridge with respect to any Units and is in lieu of any and all other warranties, expressed or implied. There are no warranties which extend beyond the description on the face hereof without limiting the generality of the foregoing, Eskridge expressly disclaims any implied warranty of merchantability or fitness for any particular purpose, regardless of any knowledge Eskridge may have of any particular use or application intended by the purchaser. The suitability or fitness of the Units for the customer's intended use, application or purpose and the proper method of installation or mounting must be determined by the customer.

# ESKRIDGE PRODUCTS

---

## Planetary Gear Drives

<b>SERIES</b>	<b>MODELS</b>	<b>TORQUE RATING (IN-LB) MAX. INTERMITTENT</b>
20	20B, 20P, 20LB, 20LP	20,000
28	28B, 28P, 28M, 28LB, 28LP	50,000
50	50K/L, 50LG, 50N	50,000
65	60B, 60E, 60L	60,000
100	100E	100,000
105	105E	100,000
130	130	130,000
150	150	150,000
250	250K/L, 251K/L, 252K/L, 253K/L	250,000
600	600K/L	600,000
1000	100K/L	1,000,000

## Multiple Disc Brakes

<b>SERIES</b>	<b>FEATURES</b>	<b>TORQUE RATING (IN-LB)</b>
90B	SAE B	TO 4,800
90BA	SAE B, ADJUSTABLE TORQUE	TO 4,800
92B	SAE B, LOW PROFILE	TO 2,800
93	FOR NICHOLS MOTORS	TO 6,100
95C	SAE C	TO 12,000
95W	SAE C WHEEL MOUNT	TO 21,000
98D	SAE D	TO 25,000

## Planetary Auger Drives, Anchor Drives & Diggers

<b>SERIES</b>	<b>MODELS</b>	<b>TORQUE RATING (FT-LB)</b>
D50	1500, 2500 & 5000	1,500 - 5,000
76	BA & BC, 2-SPEED	8,000 - 12,500
77	BA, BC & BD	6,000 - 12,500
78	35 & 48, 2-SPEED	9,000 - 12,500
75	38 & 51, 2-SPEED	16,500 - 20,000
D600	D600	50,000
D1000	D1000	83,000

