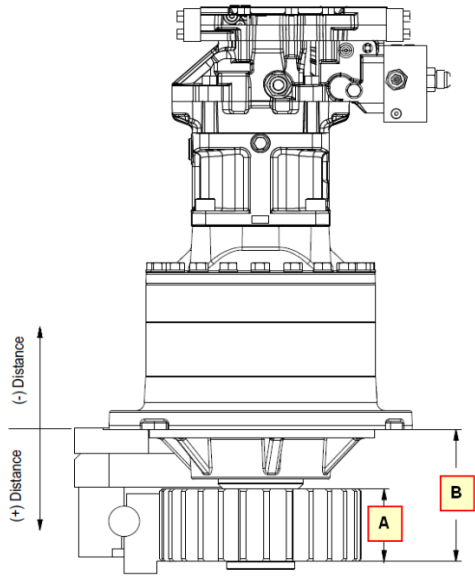




Swing Drive Application Data Form

TEL (913) 782-1238
 FAX (913) 782-4206
 sales@eskridgeinc.com
 www.eskridgeinc.com
 Form: ADF-SWD-1
 Page: 1 of 1



Date: _____
 Company: _____
 Address: _____

 Telephone: _____
 Email: _____
 Contact: _____
 Application: _____

Machine Technical Data

Type of Equipment: _____
 Engine Power: _____ HP _____ RPM
 Hydraulic Continuous: _____ PSI _____ GPM
 Hydraulic Maximum: _____ PSI _____ GPM
 Gearbox Function: _____

Gearbox Data

Max Output Torque: _____ in-lbs
 Max Output Speed: _____ RPM
 Position of Pinion: Up Down Horz
 Reduction Ratio: _____ :1
 Operating Range: _____ °F
 Design Life Required: _____ hrs
 Annual Requirements: _____ Qty/yr
 Eccentric Mount: Yes No

Pinion Gearing Data

Number of Pinion Teeth: _____ Qty
 Pitch Diameter: _____ in
 Diametral Pitch: _____
 Pressure Angle: _____ deg
 Shaft Drop:

A	_____	in
---	-------	----

 Pinion Face Width:

B	_____	in
---	-------	----

 Ring Gear Manufacturer: _____
 Ring Gear Part Number: _____

Hydraulic Motor Data

Fixed Displacement Variable Displacement
 Type: _____
 Manufacturer: _____
 Maximum Displacement: _____ in³/rev
 Pilot: _____ in Spline Data: _____

Spline Connection Data

Number of Shaft Teeth: _____ Qty
 Pitch Diameter: _____ in
 Diametral Pitch: _____
 Pressure Angle: _____ deg

Electric Motor Data

Manufacturer: _____
 Frame Size: _____
 RPM: _____

Brake Data

Brake Torque Required: _____ in-lbs
 Brake Release Pressure: _____ PSI

Duty Profile Load Spectrum

Condition	Output Torque (in-lbs)	Speed (RPM)	Radial Load (lbs)	Time (%)
1				
2				
3				
4				