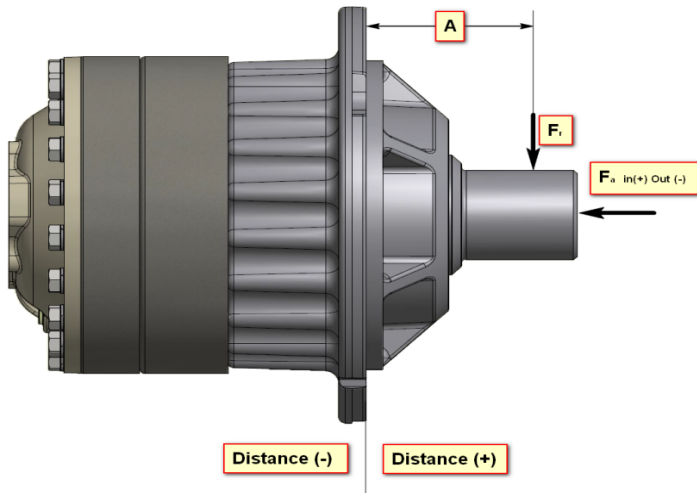




Shaft Drive Application Data Form

TEL (913) 782-1238
 FAX (913) 782-4206
 sales@eskridgeinc.com
 www.eskridgeinc.com
 Form: ADF-SD-1
 Page: 1 of 1



Date: _____
 Company: _____
 Address: _____
 Telephone: _____
 Email: _____
 Contact: _____
 Application: _____

Technical Data

Type of Machine: _____
 Engine Power: _____ HP _____ RPM
 Hydraulic Cont: _____ PSI _____ GPM
 Hydraulic Max: _____ PSI _____ GPM
 Gearbox Function: _____

Gearbox Data

Max Output Torque: _____ in-lbs
 Max Output Speed: _____ RPM
 Output Shaft Position: Up Down Horz
 Reduction Ratio: _____ :1
 Operating Range: _____ °F
 Design Life Required: _____ hrs
 Annual Requirements: _____ Qty/yr

Output Shaft Data

Shaft Type Required: _____
 Shaft Drop: in
 Shaft Radial Force: lbs
 Shaft Axial Force: lbs

Brake Data

Brake Torque Required: _____ in-lbs
 Brake Release Pressure: _____ PSI

Hydraulic Motor Data

Fixed Displacement Variable Displacement
 Type: _____
 Manufacturer: _____
 Maximum Displacement: _____ in³/rev
 Motor Mount: _____
 Pilot: _____ in Spline Data: _____

Electric Motor Data

Manufacturer: _____
 Frame Size: _____
 RPM: _____

Duty Profile Load Spectrum

Condition	Output Torque (in-lbs)	Speed (RPM)	Radial Load (lbs)	Time (%)
1				
2				
3				
4				