



440 Gear Drive - Spindle Output

Typical Applications: Industrial, Marine or Mobile Equipment

(913) 782-1238 (Tel)
 (913) 782-4206 (Fax)
Sales@EskridgeInc.com
www.EskridgeInc.com
 FORM: PS440S-AC
 Page 1 of 3

Performance Ratings

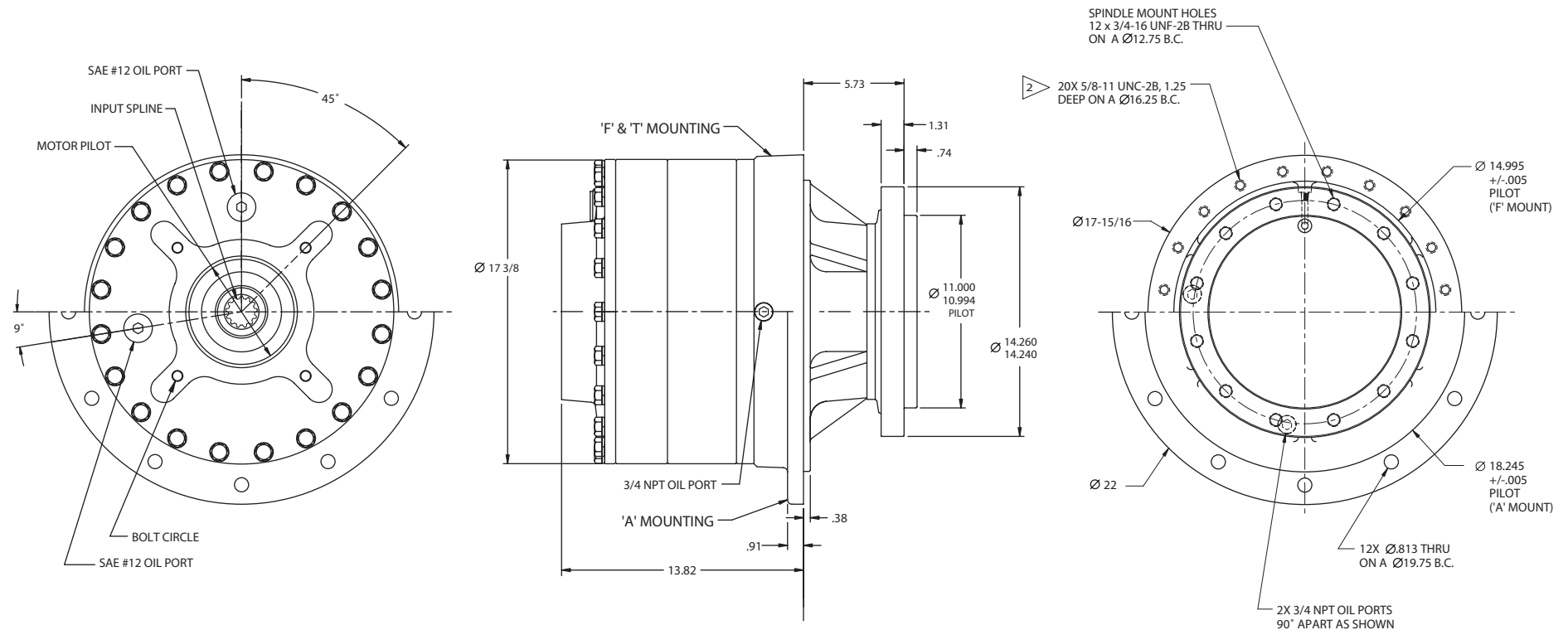
| | |
|--|----------------------------|
| Maximum Intermittent Output Torque | 440,000 in-lb (49,720 N-m) |
| Continuous Output Torque | 220,000 in-lb (24,860 N-m) |
| Peak Torque Rating..... | Consult Eskridge |
| Maximum Input Speed (No Load)..... | 3,000 RPM |

Consult your Eskridge representative to determine ratings for your specific application or configuration.

General Dimensions for Flanged (ordering option 'A') and Flangeless (ordering option 'F') Gear Drive Mountings

Other options may be available. See ordering information on last page or contact your Eskridge representative for more details.

Values are shown as "inches (millimeters)."





440 Gear Drive - Spindle Output

Typical Applications: Industrial, Marine or Mobile Equipment

(913) 782-1238 (Tel)
 (913) 782-4206 (Fax)
Sales@EskridgeInc.com
www.EskridgeInc.com
 FORM: PS440S-AC
 Page 2 of 3

Approximate Unit Weight

765 lbs / 347 kg - 'A' base

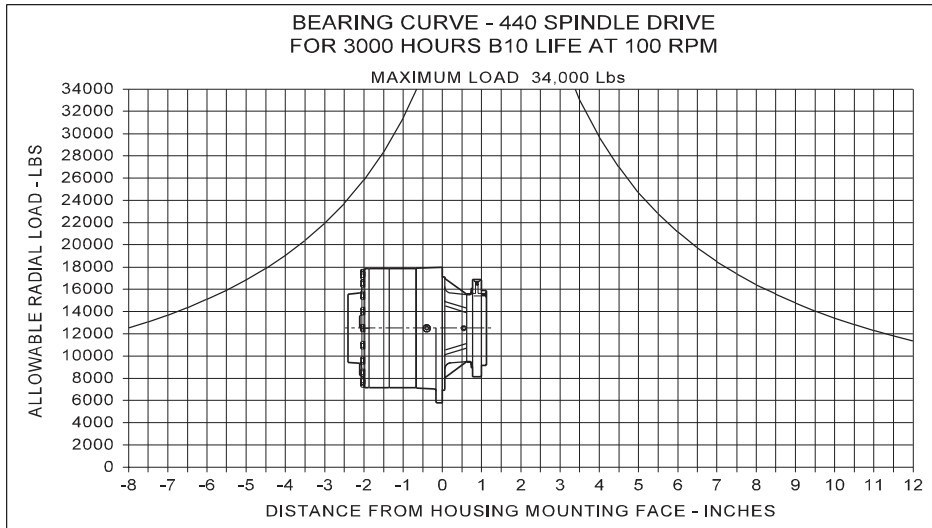
725 lbs / 329 kg - 'F' base

Oil Capacities

| Mounting Position | Quantity |
|-----------------------|-----------------------------|
| Vertical, Pinion Up | 14.00 quarts / 13.25 liters |
| Vertical, Pinion Down | 11.00 quarts / 10.41 liters |
| Horizontal | 8.00 quarts / 7.57 liters |

All units are shipped dry (without oil).

Bearing Curve



To adjust for loads and speeds other than those shown on above curve, use this formula:

$$\text{Adjusted Life (hours)} = 3000 \left(\frac{100\text{rpm}}{\text{Speed(Adjusted)}} \right) \times \left(\frac{\text{Load (Curve)}}{\text{Load (Adjusted)}} \right)^{10/3}$$



440 Gear Drive - Spindle Output

Typical Applications: Industrial, Marine or Mobile Equipment

(913) 782-1238 (Tel)
 (913) 782-4206 (Fax)
Sales@EskridgeInc.com
www.EskridgeInc.com
 FORM: PS440S-AC
 Page 3 of 3

Ordering Information

Example Part Number: 440LAS1D9-36-Z

| Model | Shaft Retention | Gear Drive Mounting | Output Spindle | Input Mounting | Input Spline | Ratio | Options |
|---|---|--|--|--|---|---|---|
| <p>440 - 440,000 in-lb maximum intermittent output torque</p> | <p>L - Load-N-Lock™ Patented shaft retention system <i>See shaft retention technical bulletin for details.</i></p> | <p>A - Round Flange AQ - A w/Quick Eccentric F - Flangeless FQ - F w/ Quick Eccentric T - Thru-Bolt Flangeless C - Custom</p> | <p>S1 - Spindle (11" dia. pilot, 12x 3/4-16 UNF-2B thru on 12.75 bolt circle) CS - Custom Spindle Shaft</p> | <p>C - SAE "C" (2 & 4 Bolt) D - SAE "D" (4 Bolt) E - SAE "E" (4 Bolt) <i>See input mounting technical bulletin for details.</i></p> | <p>4 - 14T 12/24 DP 5 - 15T 8/16 DP 9 - 13T 8/16 DP <i>Verify motor shaft compatibility with factory</i></p> | <p><i>Double Stage</i> 19 - 18.88:1 28 - 28.01:1 36 - 36.22:1 47 - 46.95:1 <i>Triple Stage</i> 77 - 77.03:1 95 - 95.34:1 114 - 114.28:1 141 - 141.45:1 148 - 147.78:1 183 - 182.91:1 192 - 191.56:1 237 - 237.10:1 <i>Ratios up to 90,000:1 available</i></p> | <p>Z - Grease Zerk <i>Required for pinion-up applications</i> R - Rotated Cover</p> |